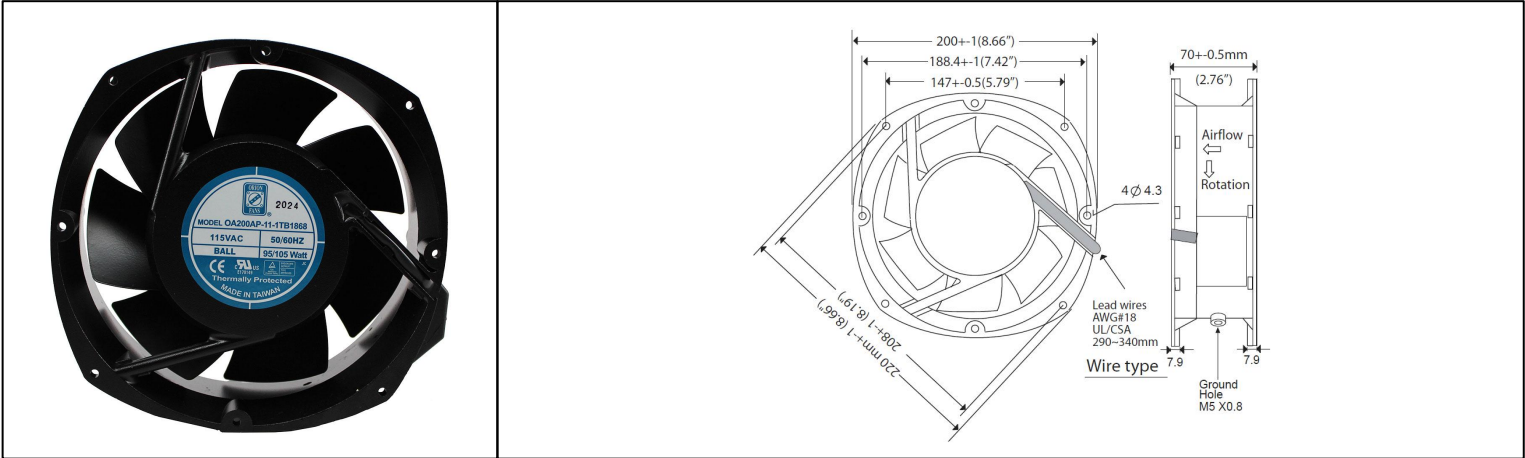


OA200AP-IP68 Series



AC Fan, 115, 230V
220x70mm (7.8"x2.8")



Frame	Die Cast Aluminum, Black	<p>Operating Temperature -30°C ~ +80°C</p> <p>Storage Temperature -40°C ~ +100°C</p> <p>Life Expectancy 50,000 hours (L10 at 55°C)</p> <p>Weight: 4.63 lbs</p>	
Impeller	Steel, All Metal		
Connection	Lead wires 18AWG or Terminal		
Motor	AC, Outer Rotor, Capacitor Induction, 1-Phase, Thermally Protected, IP68		
Bearing System	Dual Ball Bearings		
Dielectric Strength	1500VAC/min		
Insulation Resistance	Over 100MΩ at DC 500V		
		m0	

Part Number	Rated Voltage	Input Power	Frequency	Rated Speed (RPM)	Airflow (CFM)	Noise Level (dB)	Max. Static Pressure
OA200AP-11-1*B1868	115 VAC	105 W	60 Hz	3300	485	68	0.93"H ₂ O
OA200AP-22-1*B1868	230 VAC	105 W	60 Hz	3300	485	68	0.93"H ₂ O

*Insert T for Terminal or W for Lead Wires