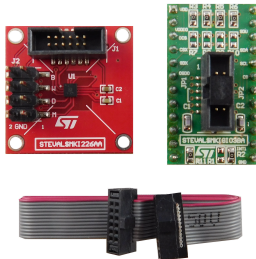


3-axis digital accelerometer sensor kit based on AIS25BA



Features

- User-friendly AIS25BA evaluation kit
- Complete AIS25BA pinout for a standard DIL 24 socket
- Fully compatible with the STEVAL-MKI109V3 motherboard
- RoHS compliant

Description

The STEVAL-MKI226KA evaluation kit is based on the AIS25BA 3-axis digital accelerometer. The kit is connected to a generic adapter board (STEVAL-MKIGI03B) through a flat cable, to make it compatible with the STEVAL-MKI109V3.

The sensing board can be directly attached to the system to be measured through the provided adhesive.

The AIS25BA is soldered exactly in the center of the board.

The STEVAL-MKIGI03B can be plugged into a standard DIL 24 socket. The kit provides the complete AIS25BA pinout and comes ready-to-use with the required decoupling capacitors on the VDD power supply line.

The STEVAL-MKI109V3 motherboard supports this adapter. The motherboard includes a high performance 32-bit microcontroller functioning as a bridge between the sensor and a PC.

It is possible to use the downloadable graphical user interface (Unico-GUI) or dedicated software routines for customized applications.

The adapter board can be also plugged into the X-NUCLEO-IKS01A2, X-NUCLEO-IKS01A3, and X-NUCLEO-IKS02A1 expansion boards.

Product summary	
3-axis digital accelerometer sensor kit based on AIS25BA	STEVAL-MKI226KA
Low-noise, high bandwidth, 3-axis accelerometer with TDM interface	AIS25BATR
MEMS adapter motherboard based on the STM32F401VE	STEVAL-MKI109V3
Motion MEMS and microphone MEMS expansion board for STM32 Nucleo	X-NUCLEO-IKS02A1
Applications	Sensing

1 Schematic diagrams

Figure 1. STEVAL-MKIGI03B circuit schematic

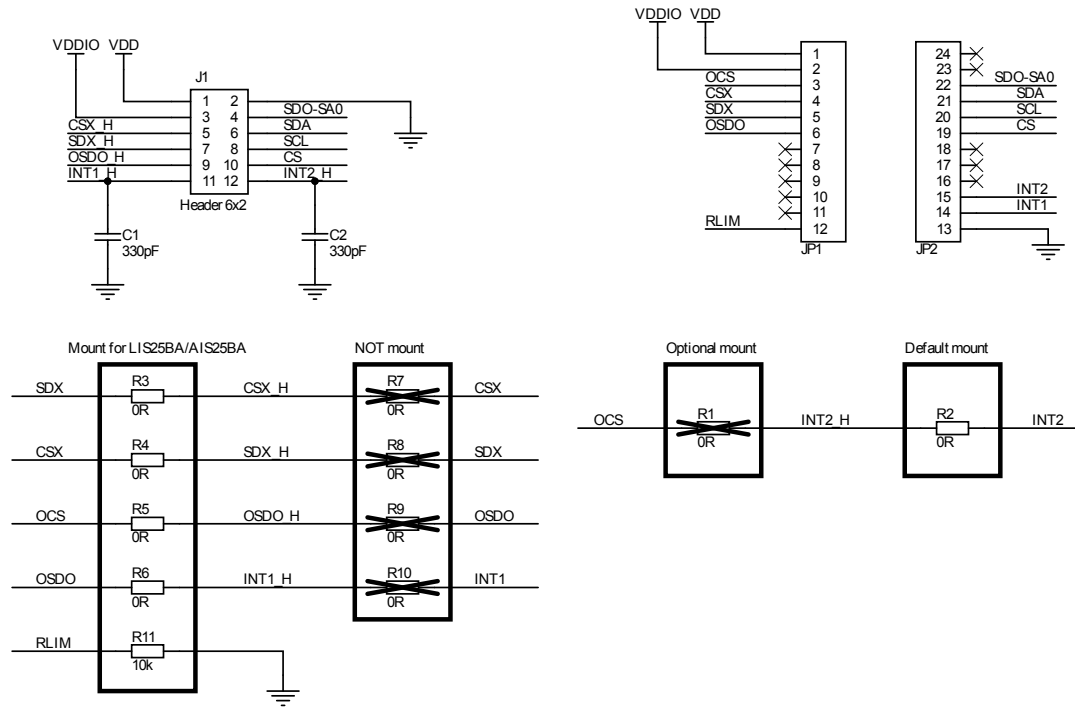
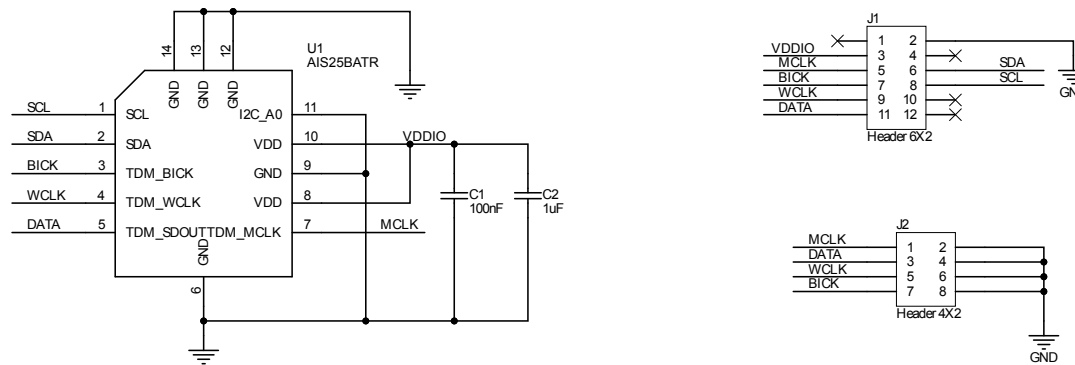


Figure 2. STEVAL-MKI226KA circuit schematic



2 Kit versions

Table 1. STEVAL-MKI226KA versions

Finished good	Schematic diagrams	Bill of materials
STEVAL\$MKI226KAA ⁽¹⁾	STEVAL\$MKI226KAA schematic diagrams	STEVAL\$MKI226KAA bill of materials

1. This code identifies the STEVAL-MKI226KA evaluation kit first version.

Revision history

Table 2. Document revision history

Date	Revision	Changes
13-Sep-2022	1	Initial release.

IMPORTANT NOTICE – READ CAREFULLY

STMicroelectronics NV and its subsidiaries (“ST”) reserve the right to make changes, corrections, enhancements, modifications, and improvements to ST products and/or to this document at any time without notice. Purchasers should obtain the latest relevant information on ST products before placing orders. ST products are sold pursuant to ST’s terms and conditions of sale in place at the time of order acknowledgment.

Purchasers are solely responsible for the choice, selection, and use of ST products and ST assumes no liability for application assistance or the design of purchasers’ products.

No license, express or implied, to any intellectual property right is granted by ST herein.

Resale of ST products with provisions different from the information set forth herein shall void any warranty granted by ST for such product.

ST and the ST logo are trademarks of ST. For additional information about ST trademarks, refer to www.st.com/trademarks. All other product or service names are the property of their respective owners.

Information in this document supersedes and replaces information previously supplied in any prior versions of this document.

© 2022 STMicroelectronics – All rights reserved