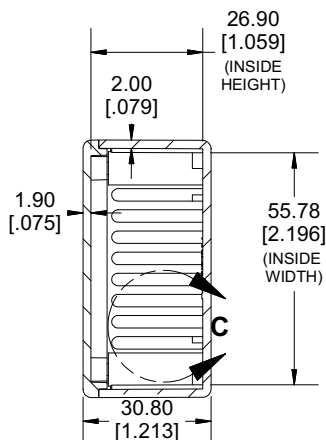
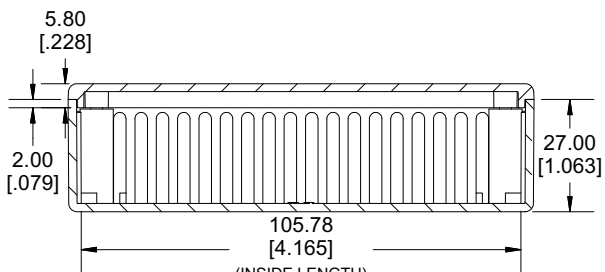
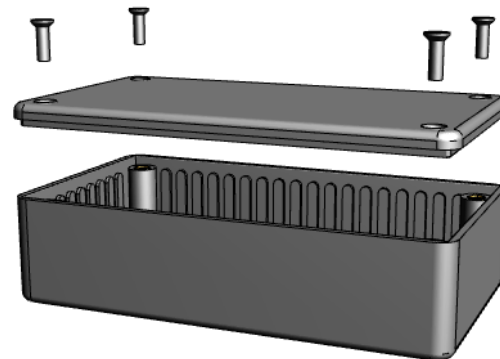


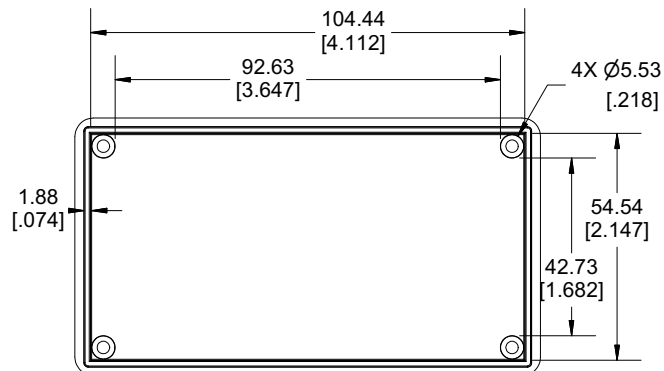
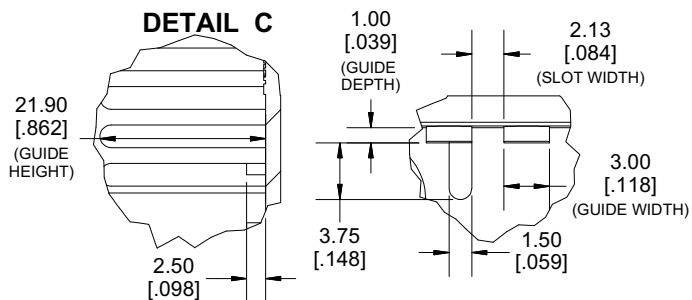
**TOP VIEW**



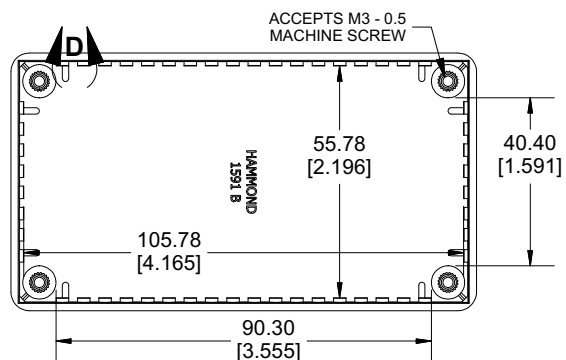
**SECTION A-A**



**SECTION B-B  
SIDE VIEW**



**INSIDE LID**



**INSIDE BOX**

Enclosures can be Factory Modified (Milling, Drilling, Printing etc.)  
 Contact Factory (modshop@hammfg.com) for quotes  
 Solid models of this enclosure available in .stp or .x\_t  
 (Part number and text placement/orientation on our products are subject to change,  
 we do not recommend using them as a locating reference for modification purposes)

NOTE		
Purchased assembly includes box, lid, 4 cover screws, and pre-installed brass inserts. Enclosure made from FRABS or Polycarbonate.		
<b>Recommended Torque: 42-57 ozf.in (30-40 cN.m)</b>		
PART NUMBERS		
1591B Enclosure		
Material	Colour	Part Number
FR ABS UL94 -V0	Beige	1591BBG
	Black	1591BBK
	Blue	1591BBU
	Grey	1591BGY
Translucent Polycarbonate	Ice Blue	1591BTBU
	IR Red	1591BTRD
	Crystal Clear	1591BTCL
Accessories		
Plated Cover screw	1591MS100 (Silver)	
M3 - 0.5 X 10mm (100Pkg)	1591MS100BK (Black)	
PC Board Card Adapters	1591Z6 (6Pkg)	
	1591Z50 (50 Pkg)	
	1591Z100 (100Pkg)	
Nylon Belt / Pocket clip	1599CLIP (Black)	
	1599CLIPGY (Grey)	
Clear Lids - Flame Retardant Polycarbonate - Lid ONLY	1591BC	

Dimensions:  
mm  
[inches]

**HAMMOND  
MANUFACTURING.**  
**1591B**  
www.hammondmfg.com