

1658438-5 ✓ ACTIVE



MICTOR

TE Internal #: 1658438-5

PCB Mount Header, Vertical, Board-to-Board, 200 Position, .8mm [.031in] Centerline, Fully Shrouded, Select Gold Flash, Printed Circuit Board

[View on TE.com >](#)

Connectors > PCB Connectors > Board-to-Board Connectors > Board-to-Board Headers & Receptacles



PCB Connector Assembly Type: **PCB Mount Header**

PCB Mount Orientation: **Vertical**

Connector System: **Board-to-Board**

Number of Positions: **200**

Centerline (Pitch): **.8 mm [.031 in]**

Features

Product Type Features

PCB Connector Assembly Type	PCB Mount Header
Connector System	Board-to-Board
Header Type	Fully Shrouded
Sealable	No
Connector & Contact Terminates To	Printed Circuit Board

Configuration Features

Number of Rows	2
Stackable	No
Connector Contact Load Condition	Fully Loaded
PCB Mount Orientation	Vertical
Number of Positions	200
Board-to-Board Configuration	Parallel

Electrical Characteristics

Dielectric Withstanding Voltage (Max)	675 VAC
---------------------------------------	---------



Insulation Resistance	2 MΩ
Impedance	100 Ω
Operating Voltage	125 VAC

Contact Features

PCB Contact Termination Area Plating Material Thickness	.25 μm[9.8425 μin]
Mating Tab Width	.38 mm[.015 in]
Mating Tab Thickness	.2 mm[.008 in]
Contact Shape & Form	Single Beam, Square
PCB Contact Termination Area Plating Material	Gold
Contact Base Material	Phosphor Bronze
Contact Mating Area Plating Material	Select Gold Flash
Contact Mating Area Plating Material Thickness	.25 μm[9.8425 μin]
Contact Type	Pin
Contact Current Rating (Max)	1.25 A, 9.5 A

Termination Features

Rectangular Termination Post & Tail Thickness	.2 mm[.008 in]
Rectangular Termination Post & Tail Width	.9 mm[.035 in]
Termination Method to Printed Circuit Board	Surface Mount

Mechanical Attachment

PCB Mount Alignment Type	Locating Posts
Mating Retention	With
Mating Alignment	Without
PCB Mount Retention	With
PCB Mount Alignment	With
Connector Mounting Type	Board Mount

Housing Features

Centerline (Pitch)	.8 mm[.031 in]
Housing Color	Black
Housing Material	LCP (Liquid Crystal Polymer)

Dimensions

Connector Height	13.39 mm[.526 in]
Row-to-Row Spacing	4.73 mm[.186 in]



Stack Height	14 mm[.551 in]
--------------	----------------

PCB Thickness (Recommended)	.06 mm[.25 in]
-----------------------------	----------------

Usage Conditions

Operating Temperature Range	-65 – 125 °C[-85 – 257 °F]
-----------------------------	----------------------------

Operation/Application

Assembly Process Feature	None
--------------------------	------

Circuit Application	Power & Signal
---------------------	----------------

Industry Standards

UL Flammability Rating	UL 94V-0
------------------------	----------

Packaging Features

Packaging Quantity	20
--------------------	----

Packaging Method	Box & Tray, Tray
------------------	------------------

Other

Comment	Use of stand offs recommended. Contact Product Engineering for recommendations.
---------	---

Product Compliance

[For compliance documentation, visit the product page on TE.com>](#)

EU RoHS Directive 2011/65/EU	Compliant
------------------------------	-----------

EU ELV Directive 2000/53/EC	Compliant
-----------------------------	-----------

China RoHS 2 Directive MIIT Order No 32, 2016	No Restricted Materials Above Threshold
---	---

EU REACH Regulation (EC) No. 1907/2006	Current ECHA Candidate List: JAN 2021 (211) Candidate List Declared Against: JAN 2021 (211) Does not contain REACH SVHC
--	---

Halogen Content	Low Halogen - Br, Cl, F, I < 900 ppm per homogenous material. Also BFR/CFR/PVC Free
-----------------	---

Solder Process Capability	Reflow solder capable to 260°C
---------------------------	--------------------------------

Product Compliance Disclaimer

This information is provided based on reasonable inquiry of our suppliers and represents our current actual knowledge based on the information they provided. This information is subject to change. The part numbers that TE has identified as EU RoHS compliant have a maximum concentration of 0.1% by weight in homogenous materials for lead, hexavalent chromium, mercury, PBB, PBDE, DBP, BBP, DEHP, DIBP, and 0.01% for cadmium, or qualify for an exemption to these limits as defined in the Annexes of Directive 2011/65/EU (RoHS2). Finished electrical and electronic equipment products will be CE marked as required by Directive 2011/65/EU. Components may not be CE marked. Additionally, the part

numbers that TE has identified as EU ELV compliant have a maximum concentration of 0.1% by weight in homogenous materials for lead, hexavalent chromium, and mercury, and 0.01% for cadmium, or qualify for an exemption to these limits as defined in the Annexes of Directive 2000/53/EC (ELV). Regarding the REACH Regulation, the information TE provides on SVHC in articles for this part number is based on the latest European Chemicals Agency (ECHA) 'Guidance on requirements for substances in articles' posted at this URL: <https://echa.europa.eu/guidance-documents/guidance-on-reach>

Compatible Parts



TE Part # 1658012-5
MSB0.80RC-ASY200FL,-,10,-TY



TE Part # 1658043-5
MSB0.80RC-ASY200FL,-,F,-TY



TE Part # 1658462-5
MSB0.80RC-ASY200FL,-,30,-TY



TE Part # 2-1658012-5
MSB0.80RC-ASY200FL,-,10,-TY



TE Part # 2-1658043-5
MSB0.80RC-ASY200FL,-,F,-TY



TE Part # 2-1658462-5
MSB0.80RC-ASY200FL,-,30,-TY

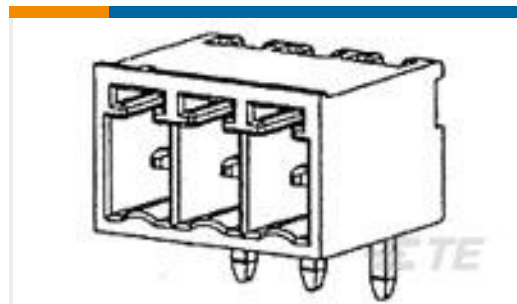
Customers Also Bought



TE Part #4-641215-8
Polyester Vertical PCB Header: 2.54 mm, Unshrouded, No Mating Alignment



TE Part #6368062-2
2X4 OFFSET STK MJ,SHLD,W /LED&GND



TE Part #1776134-8
8P TERMI-BLOK HDR,HIGH TEMP



TE Part #2057405-1
IMP100S,R,RA2P10C,UG,39



TE Part #2057750-2
IMP100S,H,V2P16C,UG,DEW39,4,9



TE Part #534267-7
40 MODIV VRT DR OE 100/125



TE Part #2018002-3
SEATING TOOL, 1X2 KIT



TE Part #2018002-1
SEATING TOOL, 1X4 KIT



Documents

Product Drawings

[MSB0.80PL14ASY200FL,-,10,-TY](#)

English

CAD Files

[3D PDF](#)

3D

Customer View Model

[ENG_CVM_CVM_1658438-5_J.2d_dxf.zip](#)

English

Customer View Model

[ENG_CVM_CVM_1658438-5_J.3d_igs.zip](#)

English

Customer View Model

[ENG_CVM_CVM_1658438-5_J.3d_stp.zip](#)

English

By downloading the CAD file I accept and agree to the [Terms and Conditions](#) of use.

Datasheets & Catalog Pages

[MICTOR SB Interconnection System](#)

English

Product Specifications

[Application Specification](#)

English