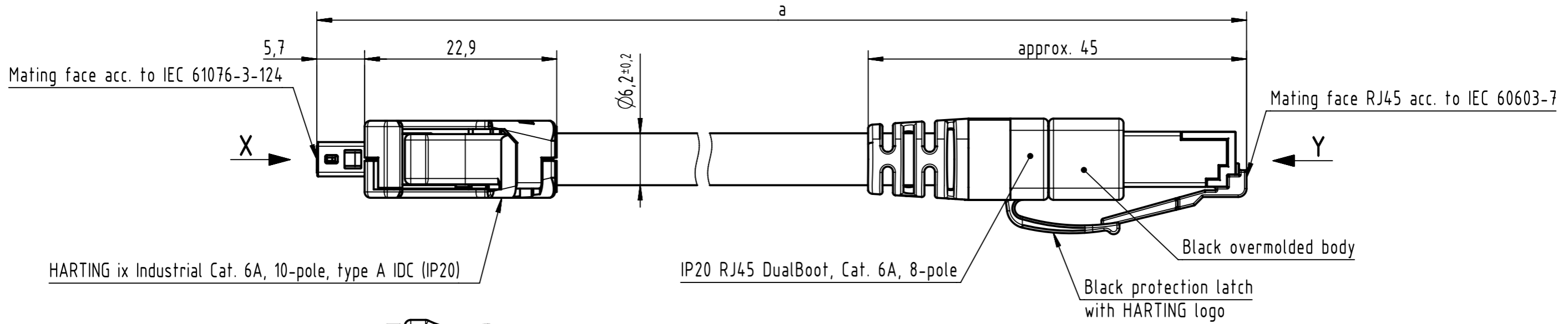
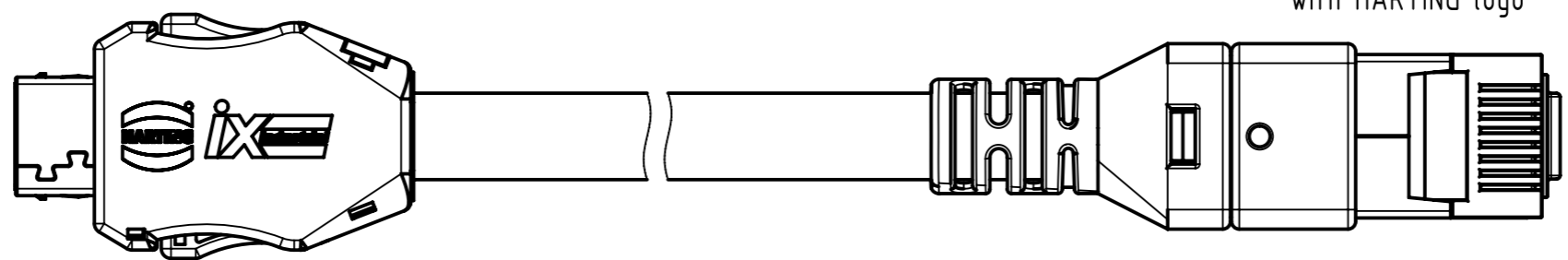


Connector Location A

Connector Location B



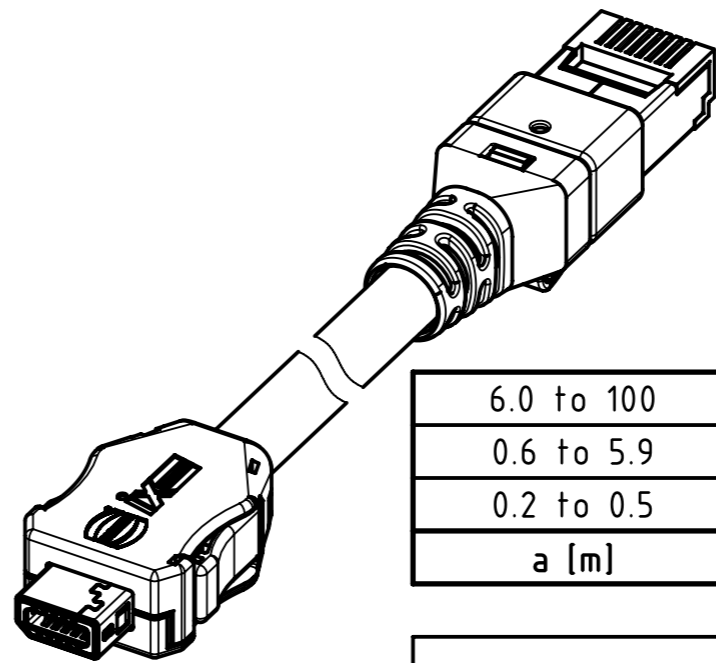
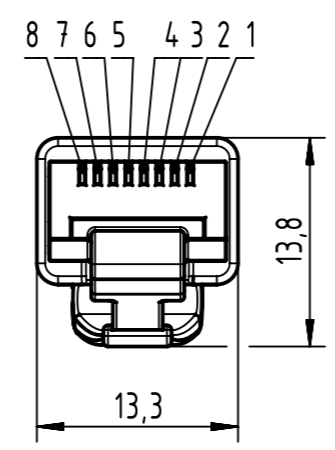
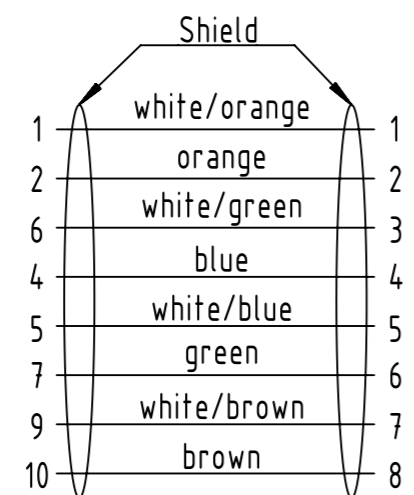
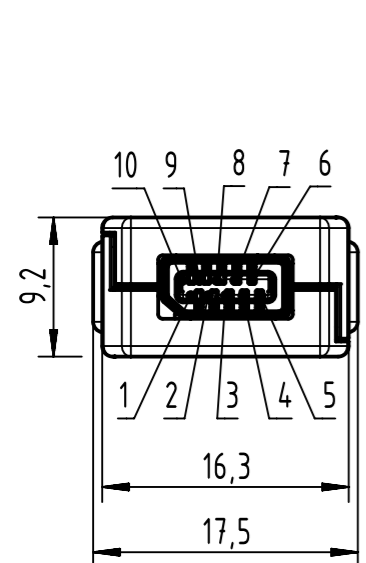
- Contact material: copper alloy
- Contact area: Gold 0.2µm min.



X
male

Loading Plan
acc. to TIA/EIA 568B

Y
male



6.0 to 100	±1%
0.6 to 5.9	+0.04
0.2 to 0.5	+0.02
a [m]	Tolerance

length in "1m" step	100	XXX=000
	99	XXX=990
	.	.
	12	XXX=120
	11	XXX=110
length in "0.1m" step	10	XXX=100
	9.9	XXX=099
	9.8	XXX=098
	.	.
	0.5	XXX=005
	0.4	XXX=004
	0.3	XXX=003
	0.2	XXX=002
Step	a [m]	XXX

Contacts 3 and 8 are not connected

Temperature range:
- Fixed installation: -20°C ... +60°C
- Dynamic installation: 0°C ... +50°C

Cat. 7 FRNC Ethernet Cable, AWG 26/7, S/FTP, blue	33480147822XXX
Type of cable	Part no.

NOTE:
For lengths < 1.0m:
- relative positioning of the connectors to each other will be as presented in the drawing, however with an admissible angular deviation around cable axis of ± 30°
For lengths ≥ 1.0m:
-relative positioning of the connectors to each other not obligatory

All Dimensions in mm		Tech. Character.		Free size tol.		According to production drawing	
	All rights reserved	Created by COSTEA	Inspected by 402676 Gross	Standardisation MUNTEANV Muntean	Date 2021-10-29	State Final Release	
	Department HCS - RO	Title ix Industrial - RJ45 Cat.6A FRNC blue		Doc-Key / ECM-Nr. 100823085/UGD/000/D 500000204137		Rev. D	Page 1/1
HARTING Customised Solutions D-32339 Espelkamp		Type TB	Number 33480147822XXX				