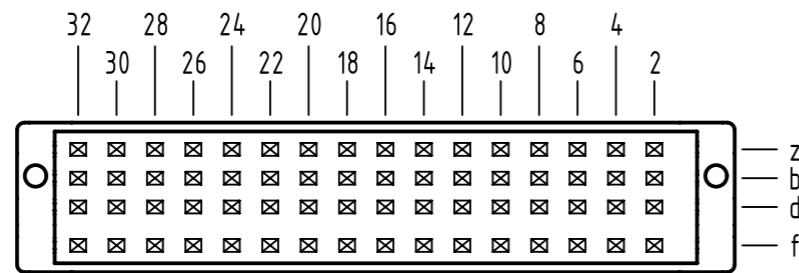


### A contact arrangement

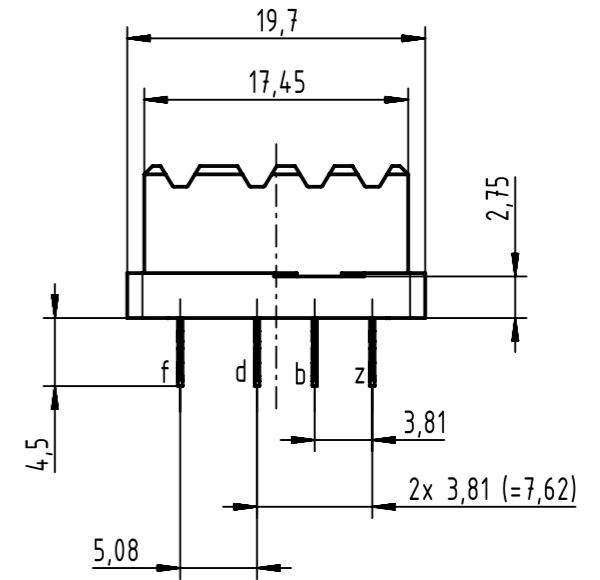


64 press-in contacts

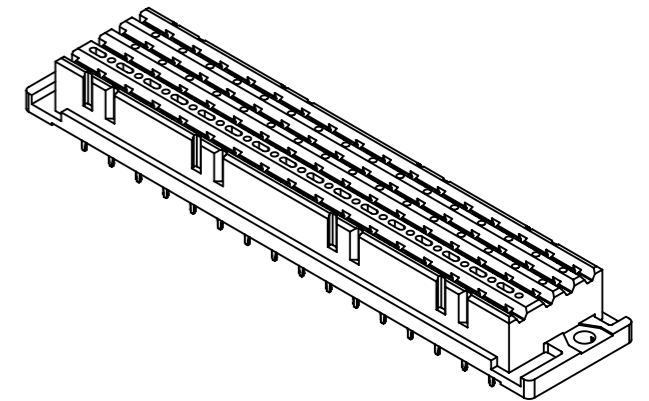
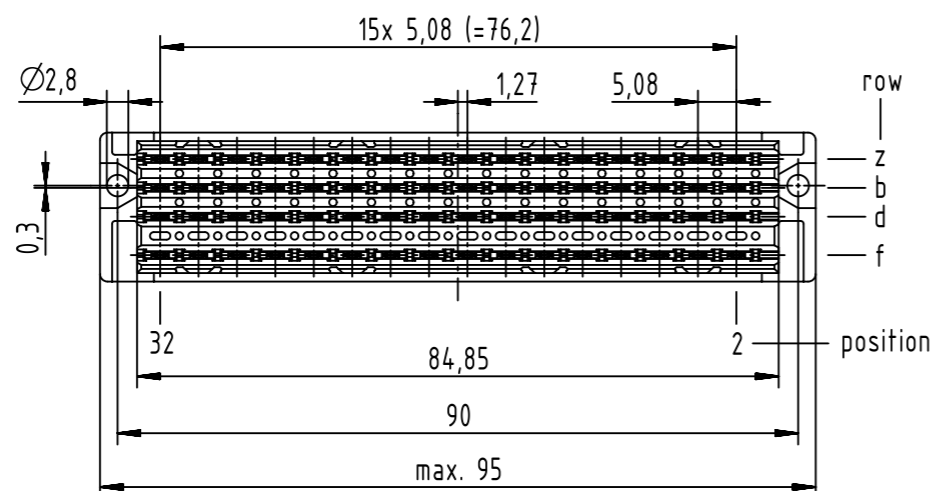
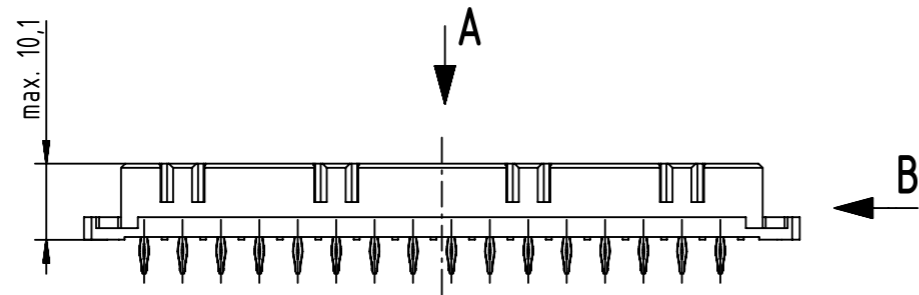
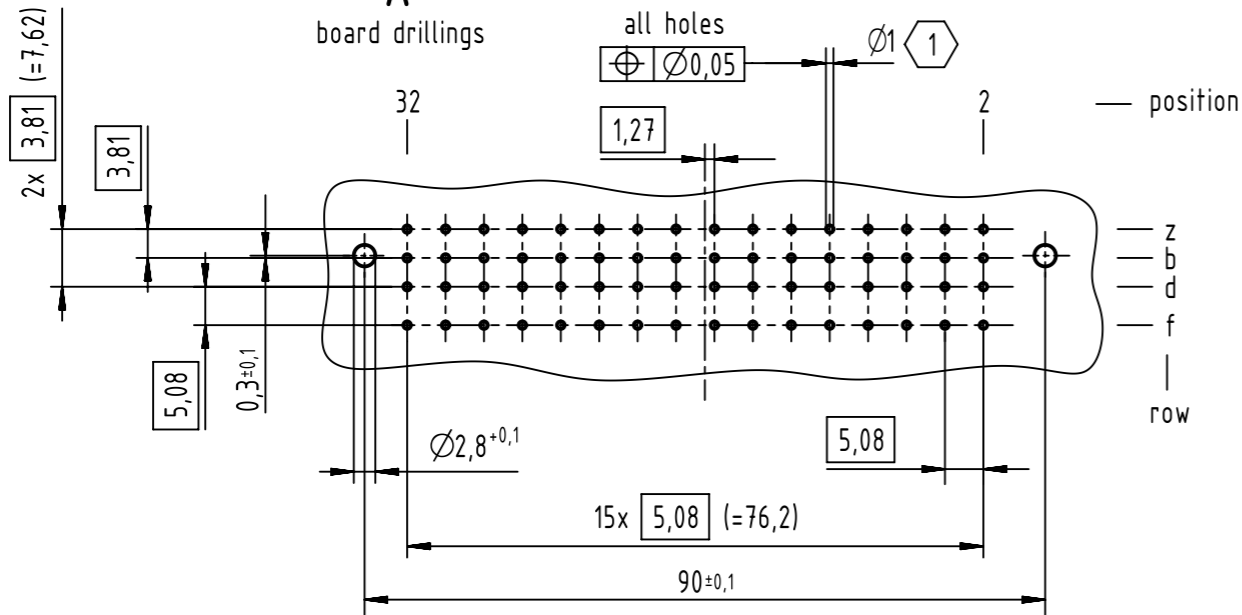
⊗ = position with contact

□ = position without contact

### B (2:1)



### A board drillings



1 recommended configuration of plated through holes  
further information see: DS 09062100006

09 06 264 2832 015	Au1
09 06 264 6832	2
09 06 264 2832	1
part no.	performance level 1

	All rights reserved	Created by STORCK	Inspected by TADJE	Standardisation HOFFMANN	Date 2020-03-12	State Final Release
	Department EL PD	Title DIN Power type G low-profile fem press-in 4.5 64-pole		Doc-Key / ECM-Nr. 100103475/UGD/003/C 500000164769		
HARTING Electronics GmbH D-32339 Espelkamp		Type TB	Number 0906264X832		Rev. C	Page 1/1