



## Datasheet

### RS PRO 20CM USB TO SERIAL ADAPTER - PROLIFIC PL-2303

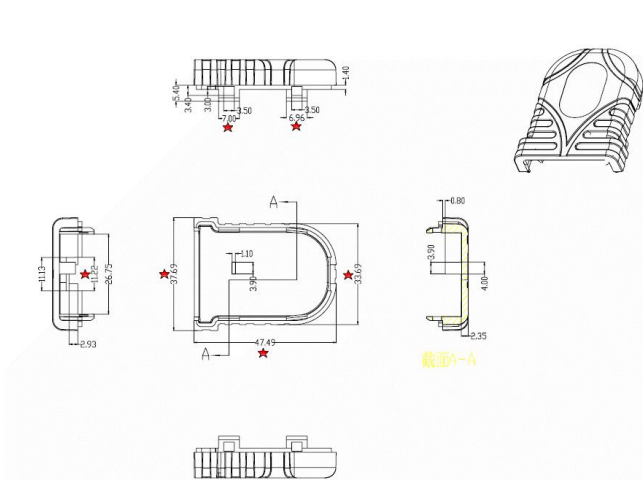
Stock number: 195-4915

EN

The RS PRO USB to serial adapter has an ABS shell on the DB 9-way male connection and a 20cm cable flex made from PVC to the USB A male connector.

It uses the popular Prolific PL-2303RA chipset which windows will install the first time it is connected to a PC and has a transfer rate of up to 500Kbps.

Serial to USB adapters are used to connect serial devices to PC's which only have a USB port.



- Compliant with the USB 1.1 specification
- 500 Kbps transfer rate
- Upstream port: USB type A plug (Male)
- Downstream Port: D-Sub 9 Pin Connector. (Male)
- Host Interface: USB BUS
- I/O base address assigned by plug and play systems
- Interrupt number assigned by plug and play systems
- Prolific Chipset PL2303RA
- Windows 10, 8 and 7 compatible

RoHS / REACH / CE  
UKCA

[rspro.com](http://rspro.com)