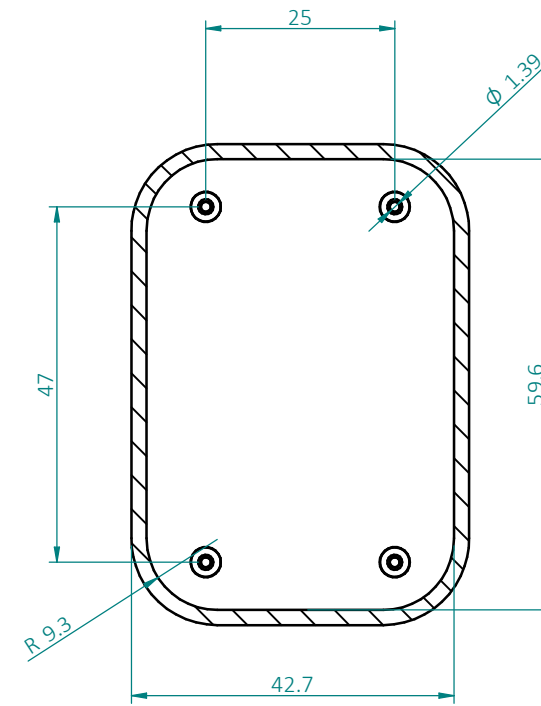
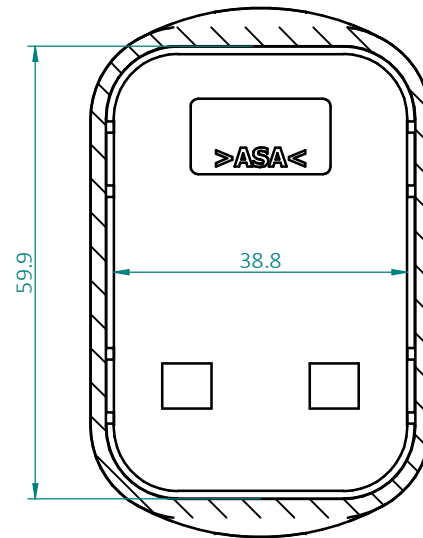
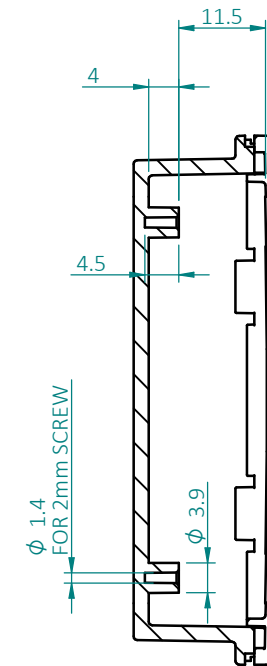
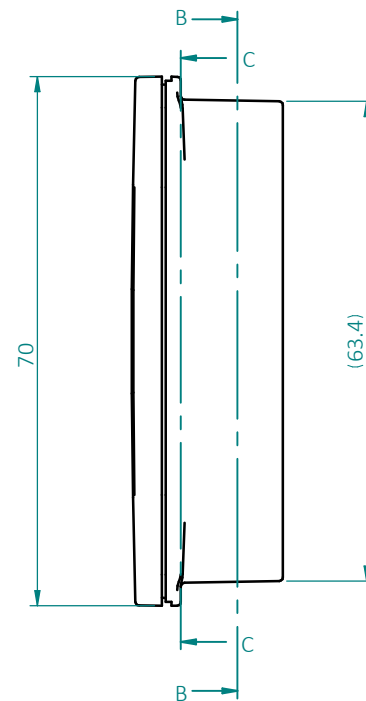
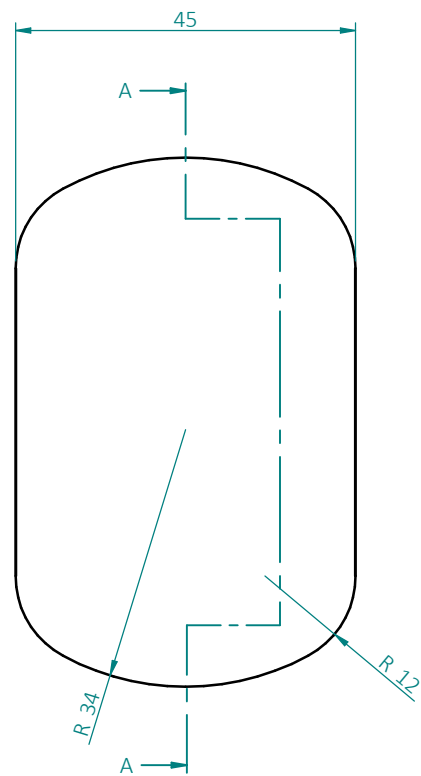


SECTION C-C  
COVER DETAIL



SECTION B-B  
BASE DETAIL



SECTION A-A

PART NUMBER	MATERIAL	COLOUR
CHH9810WH	ASA - UL 94 HB	OFF WHITE
CHH9810BK	ABS - UL 94 HB	BLACK

REVISION	DATE	ECR	DESCRIPTION	NAME	CHECKED
1	09/12/22	-	FIRST DRAWN	IPAGANO	S. HARDINGE



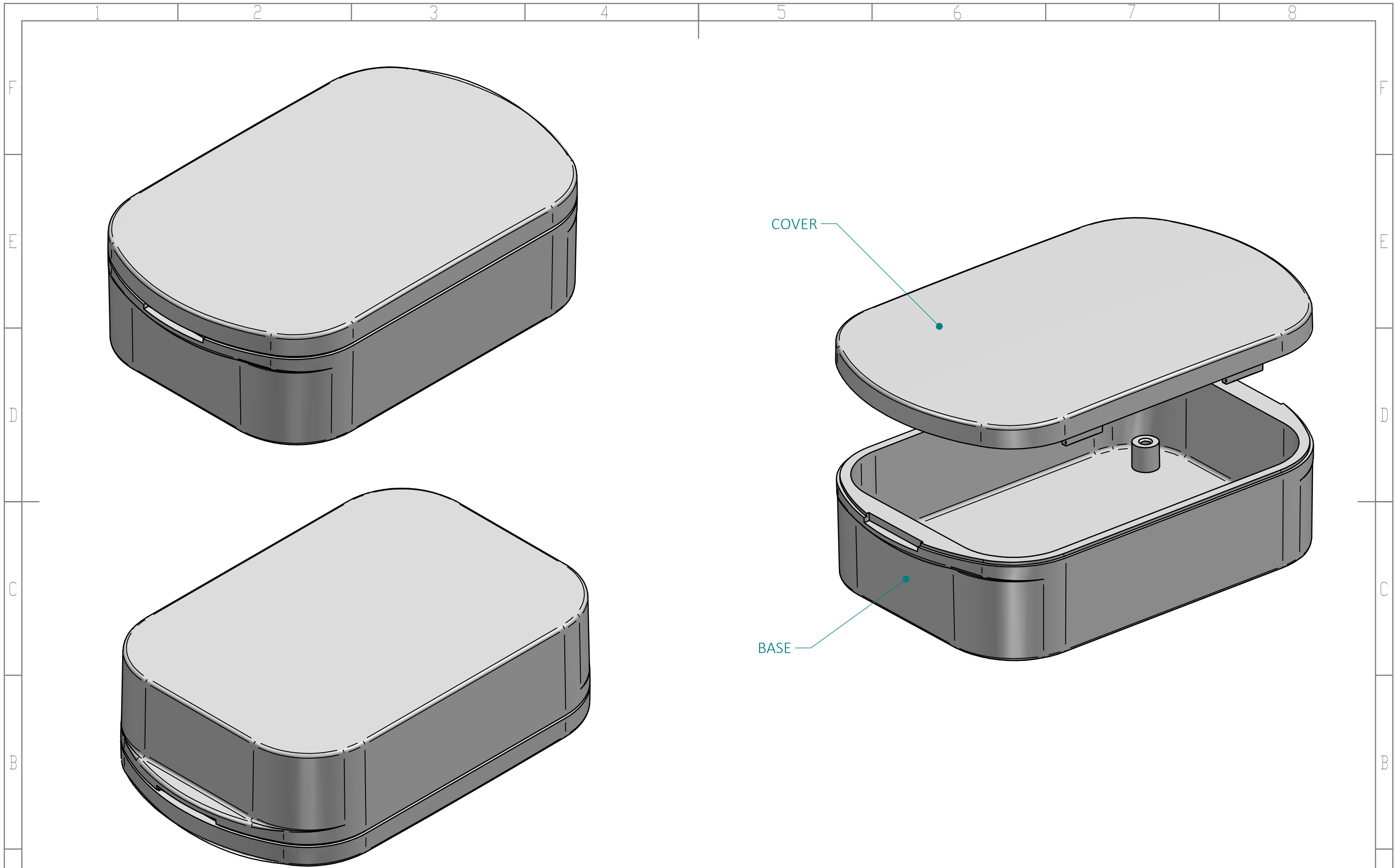
DRAWING UNITS: MILLIMETERS  
TOLERANCES: SEE CRITICAL DIMENSIONS





COLOUR: SEE TABLE  
FINISH: GLOSS  
MATERIAL: SEE TABLE

GAUGE: DO NOT SCALE DRAWING  
DEBURR AND BREAK SHARP EDGES  
TITLE: HANDHELD SMALL IoT CASE SIZE 1  
DWG NO: CHH9810xx

SCALE: 1:2  
SHEET 1 OF 2  
A3



-	-	-	-	-	-	 <b>CAMDENBOSS</b> CONNECT. ENCLOSE. INNOVATE.	COLOUR: SEE TABLE	GAUGE:	DO NOT SCALE DRAWING DEBURR AND BREAK SHARP EDGES	SCALE: 2:1
-	-	-	-	-	-		FINISH: GLOSS	TITLE: HANDHELD SMALL IoT CASE SIZE 1	SHEET 2 OF 2	
1	09/12/22	-	FIRST DRAWN	IPAGANO	S. HARDINGE		DRAWING UNITS: MILLIMETERS TOLERANCES: SEE CRITICAL DIMENSIONS	PROJECTION 	MATERIAL: SEE TABLE	DWG NO: CHH9810xx
REVISION	DATE	ECR	DESCRIPTION	NAME	CHECKED					