



# CMEB | Extendable DIN Rail Terminal Enclosure

## Product Overview

The UK manufactured CMEB Extendable DIN Rail Terminal Enclosure features two removable side panels to offering accessible internal wiring. Unique extension pieces can be used to connect multiple bodies together, providing more poles and wiring options. Internal solder tags offer an effective way of connecting to PCBs or flying wires. Accommodates full size internal PCBs, with the extended version supporting horizontal or vertical PCB's or seperators between high and low power sides.



## Key Features

### Modular Design Options

Open Top body capable of interchangeable lids, whilst Solid top creates a pre enclosed housing.

### Clip Together Design

Snap fitted parts remove the need for screws, streamlining the assembly process.

### Adjoining Solder Tags

Integrated solder tag terminals simplify the assembly of your internal electrical componentry.

### Pre-fitted Terminals

Eight 7mm saddle washer terminals, secured by M3 screws. Compliant to EN60999-1 terminal standards.

### Additional PCB positions

Extended vertical and horizontal positions can separate low/high voltage and input/output wires.

### Extendable Enclosure

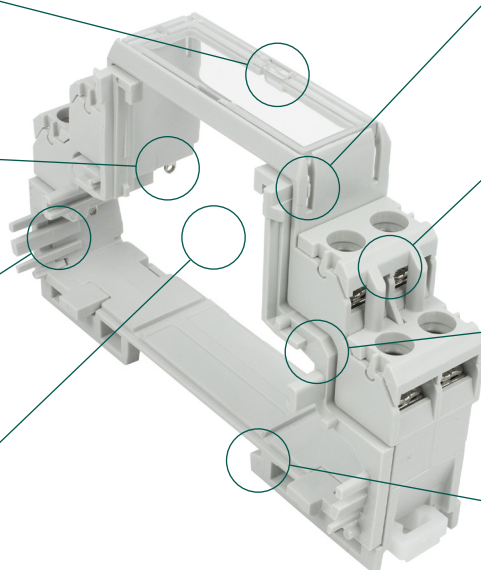
Specially designed Extension arms allow you to assemble an enclosure to your width requirements.

### Two Removable Side Panels

Side panels clip on and clip off for improved access to the internal space of the enclosure.

### Dual Mounting Options

Fits on a 35mm top hat DIN Rail or can be mounted directly onto a surface.



CMEB/1PC/E/KIT

## PART NUMBERS (KITS)

BODY TYPE	PART NUMBER	KIT INCLUDES
SOLID TOP	CMEB/1ST/KIT	1x Solid top body, 2x End panels, 2x Terminal screw covers, 1x black clip, 1x white clip
OPEN TOP CLEAR	CMEB/1PC/KIT	1x Open top body, 2x End panels, 2x Terminal screw covers, 1x Clear top, 1x black clip, 1x white clip
OPEN TOP GREY	CMEB/1PG/KIT	1x Open top body, 2x End panels, 2x Terminal screw covers, 1x Grey top, 1x black clip, 1x white clip
SOLID TOP EXTENSION*	CMEB/1ST/E/KIT	1x Solid top body, 2x Extension arms, 2x Terminal screw covers, 1x white clip
OPEN TOP CLEAR EXTENSION*	CMEB/1PC/E/KIT	1x Open top body, 2x Extension arms, 2x Terminal screw covers, 1x Clear top, 1x white clip
OPEN TOP GREY EXTENSION*	CMEB/1PG/E/KIT	1x Open top body, 2x Extension arms, 2x Terminal screw covers, 1x Grey top, 1x white clip

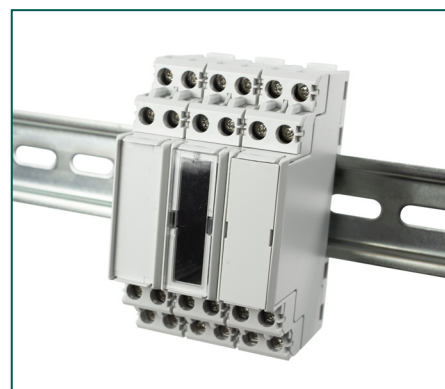
\*Extension kits to be ordered alongside at least one standard housing e.g. For a 3 way housing please order 2 extension kits and 1 standard housing.

White clip required for surface mounting. Not essential for DIN Rail mounting.

## Potential industries / applications

Din Rail Switch Enclosures, DIN Rail Input and Output devices, DIN Rail Smart Building device, DIN Rail Power meter, DIN Rail Building control, DIN Rail stairway switch, DIN Rail Home Automation Universal Transmitters, DIN Rail Voltage Monitoring Relay, DIN Rail Relay Timer Light Switch, DIN Rail Current Monitoring Relay, Isolated Universal Temperature DIN rail Transmitter, DIN Rail MeterBus level converters, DIN Rail Solid State Relay, DIN Rail Voltage Monitoring Relay, DIN Rail Solid State Relay

Industrial IoT, Home automation, smart city device, controllers, relays, switches, Transmitters, power meters.

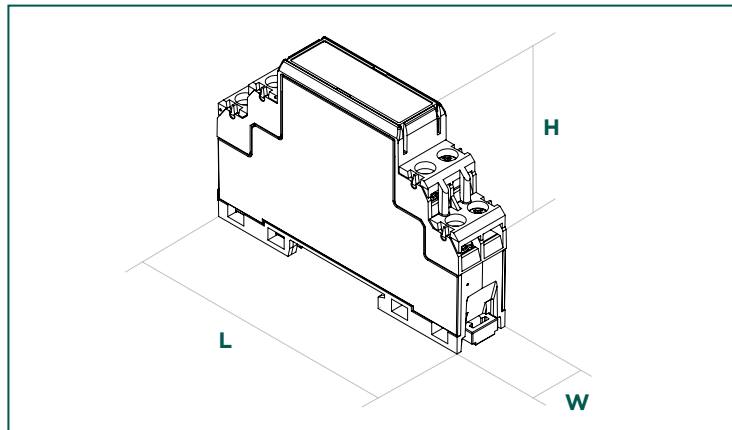




# CMEB | Extendable DIN Rail Terminal Enclosure

## INDIVIDUAL SIZE DIMENSIONS

EXTERNAL DIMENSIONS (LXWXH)	INTERNAL DIMENSIONS (LXWXH)	WALL THICKNESS
90mm x 17.86mm x 61.3mm	86mm x 42.4mm x 15.25mm	Enclosure - 1.09mm End Panels - 1.3mm

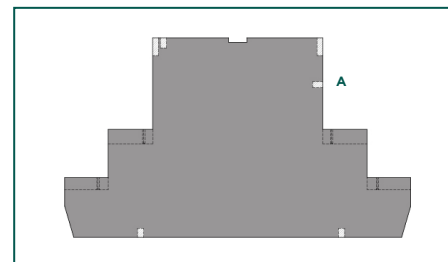


## PCB positions

### DIMENSIONS FOR EACH POSITION

PCB MOUNTING POSITION		MAX PCB DIMENSIONS (LXW)
A	Planar	See technical drawing
B	Vertical	48mm x 14.7mm*
C	Horizontal	60.7mm x 16.5mm*
D	Horizontal	84.7mm x 16.5mm*
E	Horizontal	83mm x 16.5mm*

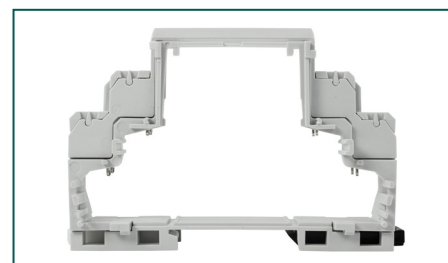
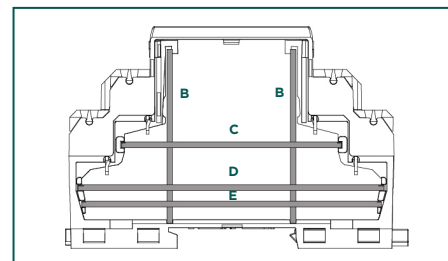
## Single enclosure



## RANGE SPECIFICATION

<b>MATERIALS</b>	Enclosure	UL94-V0 Polycarbonate		
	End panels	UL94-V0 Polycarbonate		
	Extension bracket	UL94-V0 Polycarbonate		
	Screws / Saddle Washer	Steel bright nickle plated		
	Nuts	Steel BZP		
<b>COLOURS</b>	Grey	RAL7035		
<b>COMPLIANCE</b>	RoHS compliant			
<b>ELECTRICAL RATING</b>	8A/250V rated (EN 62208), 0.8mm thick steel & nickel-plated terminals (EN 60999-1)			
<b>CONDUCTOR SIZE</b>	8 Poles	Rigid/Solid - 2.5mm <sup>2</sup> Rigid/Stranded - 1.5mm <sup>2</sup> Flexible - 1.5mm <sup>2</sup>		
<b>IP RATING</b>	Enclosure	IP40		
	Terminals	IP20		
<b>TEST RESULTS</b>	<b>Standard</b>	<b>Test</b>	<b>Result</b>	<b>Test report</b>
	UL94	Flammability	V0	E353371
	IEC 60998-2-1	Resistance to ageing and humidity	PASS	56187*
	IEC 60998-2-1	GWT	850°C	56187*
	IEC 60998-2-1	Clearance and creepage	PASS	56187*
	IEC 60112	Tracking	PTI 175V	56187*
DIN 43880	DIN Rail Standard	PASS	N/A	
<b>SCREW TORQUE</b>	M3		0.65Nm	
<b>PURCHASING INFORMATION</b>	Country of origin		Great Britain (GB)	
	Commodity code		3926909790	
	Weight	CMEB/1ST/KIT	27.8g	
		CMEB/IP_/_/KIT	28.8g	
		CMEB/1ST/E/KIT	19.6g	
		CMEB/IP_/_/E/KIT	20.6g	
Enclosure type		DIN Rail		

## Extended enclosure



## Customisation options

Digital printing, CNC customised.

\*Tested to

## ACCESSORIES

PART NUMBER	DESCRIPTION
CMEB/BL/8	DIN Rail Terminal Enclosure Terminal Blank Set of 8

The CMEB blanking kit provides a way of closing off certain terminals that are not required. This ensures that the installer does not wire up the enclosure incorrectly.





# CMEB | Extendable DIN Rail Terminal Enclosure

INDIVIDUAL PART NUMBERS (SUPPLIED IN BULK)	
PART DESCRIPTION	PART NUMBER
CMEB Solid Top Body Assembly	CMEB/1SB
CMEB Open Top Body Assembly	CMEB/1MB
CMEB End Panel	CMEB/EP
CMEB Extension Arm	CMEB/EA
CMEB Terminal Blank	CMEB/BL
CNMB size 1 top clear	CNMB/1/PC
CNMB size 1 top grey	CNMB/1/PG
CNMB size 1 top smoked	CNMB/1/PS
CNMB size 1 top red	CNMB/1/PR
White Clip	CNMB/WHITE CLIP
Black Clip	CNMB/BLACK CLIP

Box quantities of 25 for CMEB/1SB and CMEB/1MB

To order a complete kit Select:

1x body assembly + 2x extension arms per extended body, 2x end panels per complete assembly, 1x white clip for each body, 1x black clip only per complete assembly.

White clip used for surface mounting only. If ordering exclusively for DIN Rail mounting, the white clip is not required.

