

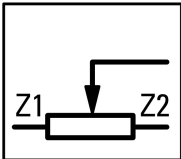




Potentiometer, Flat Front, R = 47 kOhm

Part no. **M30C-FR47K**
 Catalog No. **187031**
 Eaton Catalog No. **M30C-FR47K**

Delivery program

| | | | |
|--|---|----|--|
| RMQ design | | | flat front |
|  | | | |
| Part group reference (e.g. DIL) | | | M30 |
| Mounting hole diameter |  | mm | 30.5 |
| Basic function | | | Potentiometer |
| Single unit/Complete unit | | | Single unit |
| Description | | | 3 individual screw terminals Accuracy of resistance value: ± 10% (linear) |
| Contact sequence | | |  |
| Impedance | R | kΩ | 47 |
| Rated power | P | W | 0.5 |
| Degree of Protection | | | IP66 |
| Front ring | | | Metal bezel |
| Connection to SmartWire-DT | | | no |

Technical data

General

| | | | |
|--------------------------------------|------------|-----------------|--|
| Standards | | | IEC/EN 60947 VDE 0660 |
| Lifespan, mechanical | Operations | | 25000 |
| Climatic proofing | | | Damp heat, constant, to IEC 60068-2-78 Damp heat, cyclic, to IEC 60068-2-30 |
| Degree of Protection | | | IP66 |
| Ambient temperature | | | |
| Open | | °C | -25 - +70 |
| Mounting position | | | As required |
| Mechanical shock resistance | | g | not planned |
| Terminal capacities | | mm ² | |
| Solid | | mm ² | 0.5 - 1.5 |
| Stranded | | mm ² | 0.5 - 1.5 |
| Tightening torque for terminal screw | | Nm | 0.5 |

Contacts

| | | | |
|---------------------------------------|------------------|------|-------|
| Rated impulse withstand voltage | U _{imp} | V AC | 4000 |
| Rated insulation voltage | U _i | V | 250 |
| Overvoltage category/pollution degree | | | III/3 |

Design verification as per IEC/EN 61439

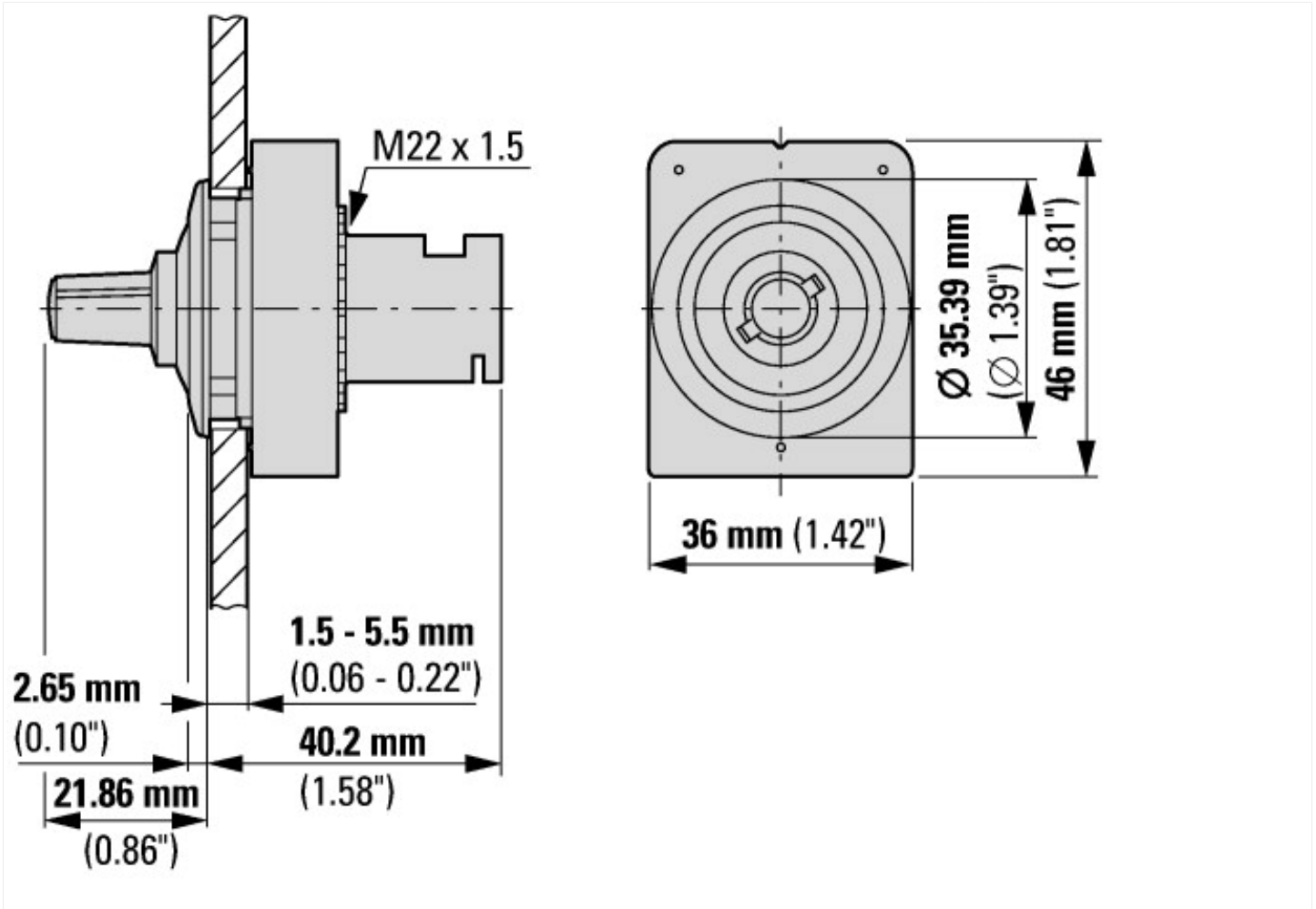
| | | | |
|--|--|----|-----|
| Technical data for design verification | | | |
| Operating ambient temperature max. | | °C | -25 |
| Operating ambient temperature max. | | °C | 70 |

Technical data ETIM 6.0

Low-voltage industrial components (EG000017) / Potentiometer for control circuit devices (EC001027)

| | | |
|---------------------------|-----|-------|
| Resistance | Ohm | 47000 |
| Power consumption | W | 0.5 |
| Hole diameter | mm | 30 |
| Degree of protection (IP) | | IP66 |

Dimensions





with 2 M22-K... standard contact elements



with M22-FK... flat rear contact elements



Additional product information (links)

IL047019ZU Flat Front

IL047019ZU Flat Front

ftp://ftp.moeller.net/DOCUMENTATION/AWA_INSTRUCTIONS/IL047019ZU2017_02.pdf