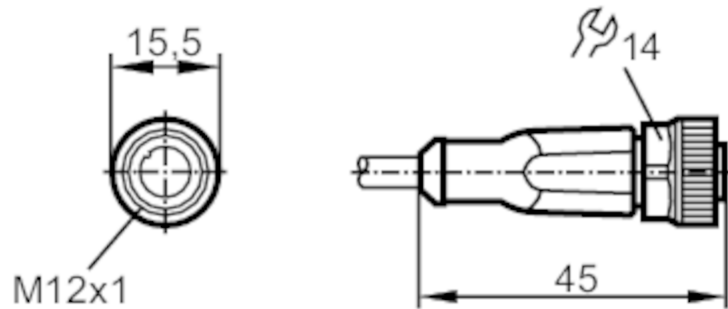


# EVS021



## Connecting cable with socket

ADOGH040ZDB0002E04



Application		
Special feature	Free from silicone; Gold-plated contacts; Drag chain suitability	
Free from silicone	yes	
Electrical data		
Operating voltage [V]	< 250 AC / < 300 DC	
Protection class	II	
Max. current load total [A]	4	
Operating conditions		
Ambient temperature [°C]	-25...70	
Ambient temperature (moving) [°C]	5...70	
Protection	IP 65; IP 67	
Mechanical data		
Weight [g]	85.8	
Dimensions [mm]	15.5 x 15.5 x 45	
Materials	housing: TPU orange; Sealing: FKM	
Material nut	brass, nickel-plated	
Drag chain suitability	yes	
Drag chain suitability	bending radius for flexible use	min. 10 x cable diameter
	travel speed	max. 3.3 m/s for a horizontal travel length of 5 m and max. acceleration of 5 m/s <sup>2</sup>
	bending cycles	1 Mio.
	torsional strain	± 180 °/m

# EVS021



## Connecting cable with socket

ADOGH040ZDB0002E04

### Remarks

Pack quantity

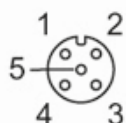
1 pcs.

### Electrical connection

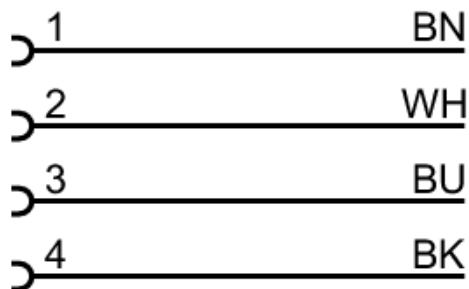
Cable: 2 m, PVC, black, Ø 4.5 mm; 4 x 0.25 mm<sup>2</sup> (14 x Ø 0.15 mm )

### Electrical connection - socket

Connector: 1 x M12, straight; Locking: brass, nickel-plated; Contacts: gold-plated; Tightening torque: 0.6...1.5 Nm



### Connection



Core colours :

BK = black  
BN = brown  
BU = blue  
WH = white