

## MOTOR SUPPRESSOR

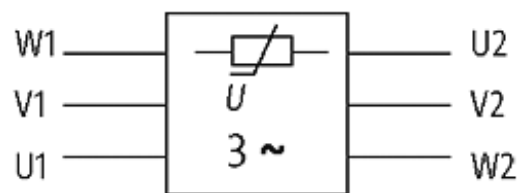
Varistor, 3x575VAC/20kW

3 × 575 V AC  
VDR-(1) per phase

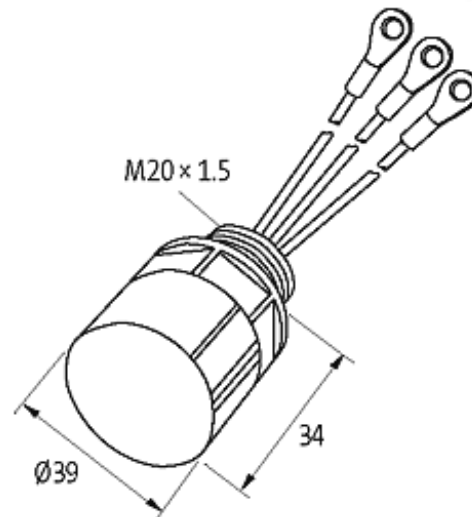
Suppressors for other voltages, frequencies, and motor ratings available on request. Do not use RC motor suppressors with frequency inverters.

### [Link to Product](#)

#### Illustration



VDR-(1) per phase



Product may differ from Image

### Technical Data

Material	Flame retardant plastic acc. to (UL 94)
Potting compound	2-component epoxy
Ring terminals	isolated M6
Frequency	10...400 Hz

### General data

Connection	approx. 150 mm, single cores 1 mm <sup>2</sup>
Temperature range	-20...+60 °C
Dimensions H × W × D	39×39×44 mm

### Commercial data

country of origin	CZ
customs tariff number	85363010
minimum order quantity	1