

**M8 female 90° snap-in with cable LED**

PUR 3x0.25 ye UL/CSA+drag chain 1,5m

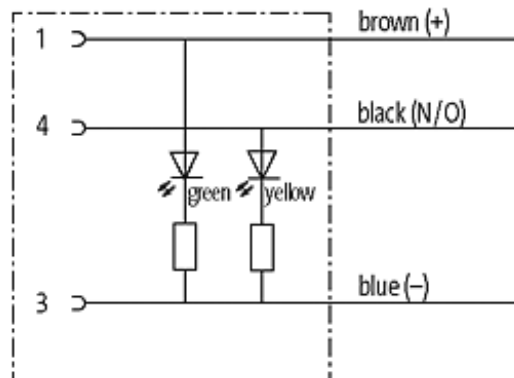
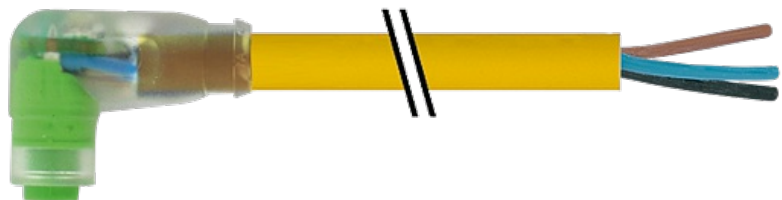
M8

Female 90° with LED

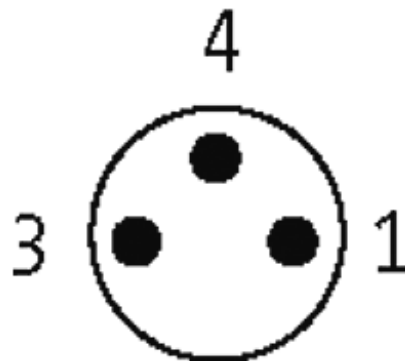
3-pole with 2 × LED (PNP)

Snap In

Plastic housings with good resistance against chemicals and oils. The resistance to aggressive media should be individually tested for your application. Further details on request.

[Link to Product](#)**Illustration**

# Female



Product may differ from Image

## Approvals



\* only for products with UL/CSA approved cable

## Form

08281

## Technical Data

Operating voltage	24 V DC $\pm 25\%$
Operating current per contact	max. 4 A
Locking of ports	Snap In
Protection	IP65

## Cables

Cable number	030
No./diameter of wires	3 $\times$ 0.25 mm <sup>2</sup>
Wire isolation	PP (br, bl, bk)
C-track properties	5 Mio.
Torsion	2 Mio. $\pm$ 180°/m
Jacket Color	yellow
Shore hardness outer jacket	90 $\pm$ 5A
Material (jacket)	PUR (UL/CSA)
Outer diameter	approx. 4.3 mm
Bend radius (fixed)	5 $\times$ outer $\varnothing$
Bend radius (moving)	10 $\times$ outer $\varnothing$
Temperature range (fixed)	-40...+80 °C
Temperature range (mobile)	-25...+80 °C

The information in this brochure has been compiled with the utmost care.

Liability for the correctness completeness and topicality of the information is restricted to gross negligence. Version: 05/15

**Commercial data**

country of origin	DE
customs tariff number	85444290
minimum order quantity	1