

MB REDUNDANCY BALANCE

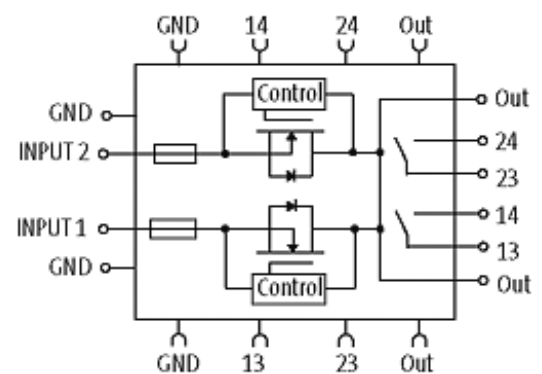
IN: 24VDC/2x20ADC OUT: 24V/20-40ADC

INPUT: 24 V DC (SELV/PELV)

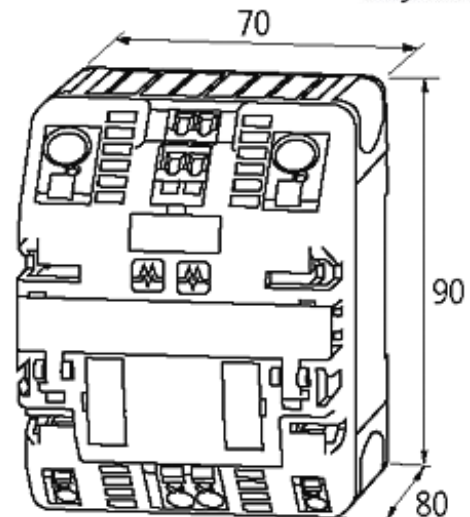
OUTPUT: max. 2 × 20 A / 1 × 40 A

[Link to Product](#)

Illustration



stay connected



Product may differ from Image

Approvals



Input

Input voltage	24 V DC (18...30 V DC)
Input current	2 × 20 A
Total current	max. 40 A
Invers-polarity protection	max. 30 V DC
Auto-Balancing (50/50)	yes

General data

Standards	(EN 61000-6-2), (EN 61000-6-3)
Bridging concept	two sides, with spring clamp terminals or bridge set (max. 40 A)
Relative humidity	5...95 %, no condensation
Efficiency	99.5 %
Connection	Spring clamp terminals
Mounting method	DIN-rail mountable TH35 (EN 60715)
Temperature range	-25...+60 °C (storage temperature -40...+85 °C)

Output

Output voltage	24 V DC (18...30 V DC)
Output current	40 A (-25...+60 °C); 52 A (-25...+40 °C); 26 A (-25...+40 °C)
LED display	LED (red/green)
Alarm output	potential free (relay contact) for input voltage/load distribution

Commercial data

country of origin	CZ
customs tariff number	85044090

minimum order quantity

1