



Model Number

NBN4-F25K-E8

Features

- Direct mounting on standard actuators
- Small construction with sturdy plastic housing of protection class IP 67
- Plug-in terminals
- LED for power on

Accessories

BT32

Activator for F25 series

BT33

Activator for F25 series

BT34

Activator for F25 series

BT32XAS

Activator for F25 series

BT43-RG-01

Activator for F25 series including protective housing and mounting plate

Technical Data

General specifications

| | | |
|----------------------------|-------|------------------------|
| Switching function | | 2 x normally open (NO) |
| Output type | | PNP |
| Rated operating distance | s_n | 4 mm |
| Installation | | flush mountable |
| Output polarity | | DC |
| Assured operating distance | s_a | 0 ... 3.24 mm |
| Actual operating distance | s_r | 3.6 ... 4.4 mm typ. |
| Reduction factor r_{AI} | | 0.5 |
| Reduction factor r_{Cu} | | 0.4 |
| Reduction factor r_{304} | | 1 |
| Reduction factor r_{S37} | | 1.1 |
| Output type | | 3-wire |

Nominal ratings

| | | |
|--------------------------------|-------|--|
| Operating voltage | U_B | 10 ... 30 V DC |
| Switching frequency | f | 0 ... 1000 Hz |
| Hysteresis | H | typ. 5 % |
| Reverse polarity protection | | reverse polarity protected |
| Short-circuit protection | | pulsing |
| Voltage drop | U_d | ≤ 2.5 V |
| Operating current | I_L | 0 ... 200 mA |
| Off-state current | I_r | 0 ... 0.5 mA typ. 0.1 μ A at 25 °C |
| No-load supply current | I_0 | ≤ 22.5 mA |
| Time delay before availability | t_v | ≤ 100 ms |
| Operating voltage indicator | | LED, green |
| Switching state indicator | | LED, yellow |

Functional safety related parameters

| | |
|--------------------------------|-------|
| MTTF _d | 860 a |
| Mission Time (T _M) | 20 a |
| Diagnostic Coverage (DC) | 0 % |

Ambient conditions

| | |
|---------------------|--------------------------------|
| Ambient temperature | -25 ... 70 °C (-13 ... 158 °F) |
| Storage temperature | -40 ... 85 °C (-40 ... 185 °F) |

Mechanical specifications

| | |
|-------------------------------------|--|
| Connection (system side) | screw terminal , M20 x 1.5 cable gland |
| Housing material | PBT |
| Sensing face | PC |
| Degree of protection | IP67 |
| Mass | 98 g |
| Tightening torque, fastening screws | M5 x 25 : 2.7 Nm |
| Note | Mounted on mechanical drive |

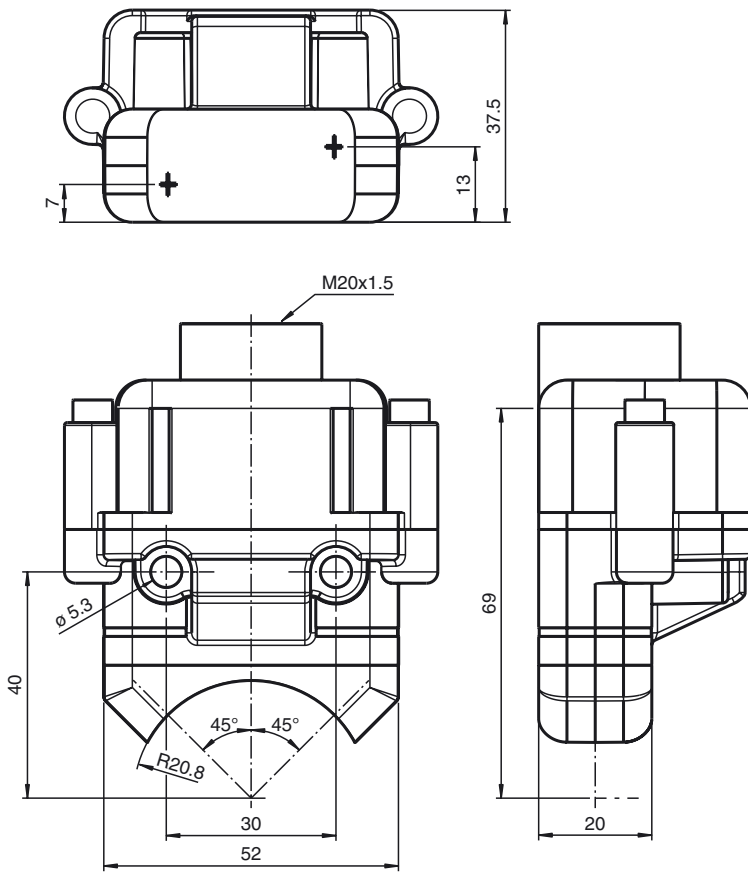
Compliance with standards and directives

| | |
|---------------------|---|
| Standard conformity | |
| Standards | EN 60947-5-2:2007 IEC 60947-5-2:2007 |

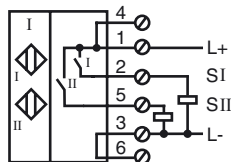
Approvals and certificates

| | |
|--------------|--|
| CCC approval | CCC approval / marking not required for products rated ≤ 36 V |
|--------------|--|

Dimensions



Electrical Connection



Release date: 2017-02-23 08:41 Date of issue: 2017-02-23 264855_eng.xml