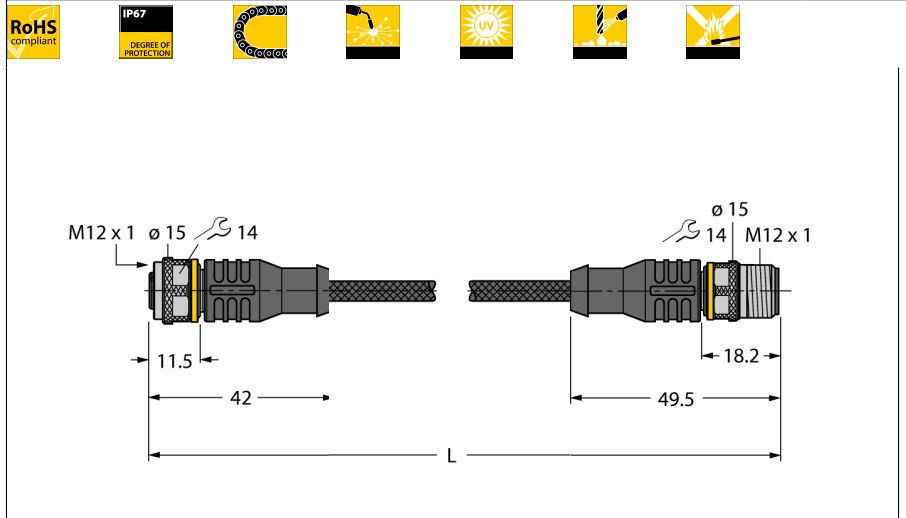


Weld-Splatter Resistant Actuator and Sensor Cable extension cable
RKC4.5T-0,3-RSC4.5T/TXL1001



- Female M12, straight, 5-pin
- Male M12, straight, 5-pin
- Jacket material: PUR jacketed with aramid
- Jacket color: yellow
- Resistant to welding sparks
- Flame-retardant
- Resistant to chemicals, UV radiation and oils
- Free from halogen, silicone, PVC and LABS
- RoHS-compliant
- Protection class IP67
- Protective jacket material: Aramid fibers
 - Tensile strength: 2923 MPa
 - Breaking strength: 333 N
 - Elongation at break: 3.6%
 - Temperature peaks: up to +200 °C
- Cable length: 0.3 m

| | |
|-------------------------|-----------------------------|
| Type designation | RKC4.5T-0,3-RSC4.5T/TXL1001 |
| Ident no. | 6628254 |

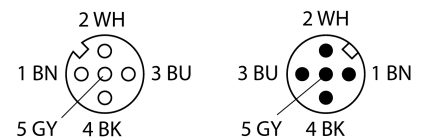
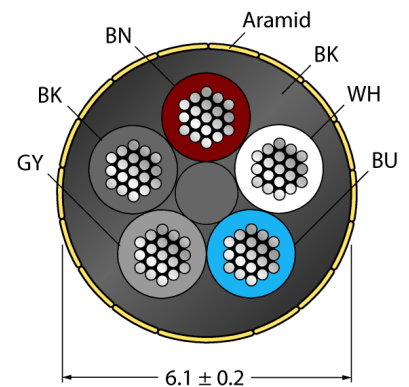
| | |
|-------------------------|---|
| Connector A side | Female connector, M12 ⚡ 1, Straight |
| Number of pins | 5 |
| Contacts | Brass, CuZn, Gold-plated |
| Contact carriers | Plastic, TPU, Black |
| Grip | Plastic, TPU, Black |
| Coupling nut/screw | Brass, CuZn, Nickel-plated |
| Seal | Plastic, FPM/FKM |
| Protection class | IP67, A + B side screwed together |
| Mechanical lifespan | > 100 Mating cycles |
| Pollution degree | 3 |
| Tightening torque | 0.8 ... 1 Nm (observe max. torque of counter piece!) |

| | |
|-------------------------|---|
| Connector B side | Connector, M12 x 1, Straight |
| Number of pins | 5 pins |
| Contacts | brass, CuZn, Gold-plated |
| Contact carriers | Plastic, TPU, Black |
| Grip | plastic, TPU, black |
| Coupling nut/screw | Brass, CuZn, Nickel-plated |
| Protection class | IP67, only in screwed state |
| Mechanical lifespan | > 100 Mating cycles |
| Pollution degree | 3 |
| Tightening torque | 0.8 ... 1 Nm (observe max. torque of counter piece!) |

| | |
|------------------------|-----------------------|
| General data | |
| Cable diameter | 6.1 ± 0.20mm |
| Cable length | 0.3 m |
| Cable quality | PUR |
| Cable color | Black |
| Core insulation | PP |
| Core colors | BN, WH, BU, BK, GY |
| Core cross-section | 5x0.34mm ² |
| Arrangement of strands | 42x0.1 mm |

| | |
|--------------------------------------|--------------|
| Electrical features at +20 °C | |
| Current | 4 A |
| Rated voltage | 60 V |
| Insulation resistance | > 30.5 MΩ/km |
| Test voltage | 2000 V |
| Forward resistance | max. 57 Ω/km |

Cable Cross-section



General information

Drawing depicts design version including hexagon coupling nut
 (Production date after CW11/2016).

Circuit Diagram




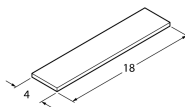
Weld-Splatter Resistant Actuator and Sensor Cable extension cable RKC4.5T-0,3-RSC4.5T/TXL1001

Mechanical and chemical properties

| | |
|------------------------------------|------------------------|
| Max. tensile strength (static) | ≤ 50 N/mm ² |
| Max. tensile strength (dynamic) | ≤ 20 N/mm ² |
| Bending radius (stationary laying) | > 5 x Ø |
| Bending radius (flexible use) | > 10 x Ø |
| Ambient temperature | |
| Stationary | -50...+105°C |
| In motion | -30...+90°C |

**Weld-Splatter Resistant Actuator and Sensor Cable
extension cable
RKC4.5T-0,3-RSC4.5T/TXL1001**

Accessories

| Type code | Ident no. | Description | |
|-----------------------------------|-----------|---|---|
| Torque-Wrench-Set-AS | 6936170 | Torque wrench set; handles with adjustable torque 0.4-1.0 Nm, torque wrench for M8 (SW9), fork wrench for M12 (SW 14) |  |
| BLANK-LABEL-FOR-CORDESETS-TEL-TXL | 6936206 | Label for TEL and TXL cables, length: 18 mm, height: 4 mm, material: polycarbonate (PC), color: white, halogen-free and flame-retardant |  |