

**PLEASE CHECK WWW.MOLEX.COM FOR LATEST PART INFORMATION**

**Part Number:** [1200850012](#)  
**Status:** **Active**  
**Overview:** Brad® Ultra-Lock® Connection System  
**Description:** Ultra-Lock® (M12) Single Keyway with PG7 Cable Fitting, Female, 5 Pole, Straight, Cable Diameter 3.30-6.60mm

**Documents:**

[Drawing \(PDF\)](#) [RoHS Certificate of Compliance \(PDF\)](#)

**General**

Product Family	Field Attachable / Accessories
Series	120085
Approvals	N/A
IP Rating	IP69K
Overview	<a href="#">Brad® Ultra-Lock® Connection System</a>
Product Name	Ultra-Lock® (M12)
Type	Field Attachable Connector
UPC	78678897649

**Physical**

Cable Diameter	3.30-6.60mm (.130-.260")
Coupling Type	Push to Lock
Diagnostics / LEDs	No
Diagnostics Port	No
Gender	Female
Keyway	Single
Material - Connector Body	PA
Material - Contact	Brass
Material - Coupling Nut	Nickel-plated Brass
Material - Plating Mating	Gold over Nickel
Orientation	Straight
Poles	5
Temperature Range - Operating	-25°C to +90°C
Wire Size AWG	18

**Electrical**

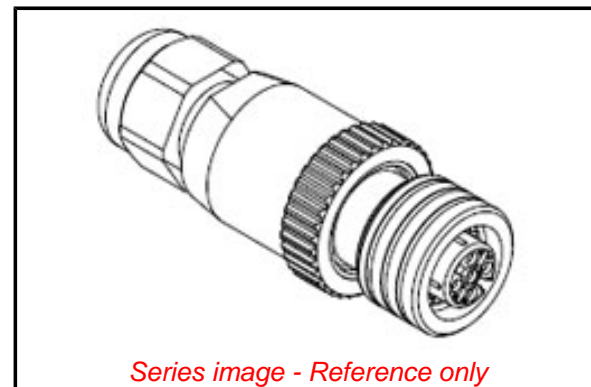
Current - Maximum per Contact	4.0A
Voltage - Maximum	30V AC / 36V DC

**Material Info**

Old Part Number	WA5000-31
-----------------	-----------

**Reference - Drawing Numbers**

Sales Drawing	SD-120085-004
---------------	---------------



*Series image - Reference only*

**EU ELV**

**Not Reviewed**

**EU RoHS**

**Not Reviewed**

**REACH SVHC**

Not Reviewed

**Halogen-Free**

**Status**

**Not Reviewed**

**Need more information on product environmental compliance?**

Email [productcompliance@molex.com](mailto:productcompliance@molex.com)  
Please visit the [Contact Us](#) section for any non-product compliance questions.

China ROHS

Not Reviewed

ELV

Not Reviewed

**Search Parts in this Series**

[120085 Series](#)