

PLEASE CHECK WWW.MOLEX.COM FOR LATEST PART INFORMATION

Part Number: **5023810000**
Status: **Active**
Overview: CLIK-Mate Wire-to-Board Connectors
Description: CLIK-Mate and IllumiMate 1.25mm Pitch Wire-to-Board Crimp Terminal, Tin Plating, Reel

Documents:

3D Model	Product Specification PS-502382-001-001 (PDF)
Drawing (PDF)	Packaging Specification SPK-502381-001-001 (PDF)
Product Specification 2028120000-000 (PDF)	RoHS Certificate of Compliance (PDF)

General

Product Family	Crimp Terminals
Series	502381
Application	Signal, Wire-to-Board
Crimp Quality Equipment	Yes
Overview	CLIK-Mate Wire-to-Board Connectors
Product Name	CLIK-Mate, IllumiMate
UPC	822350895187

Physical

Durability (mating cycles max)	30
Gender	Male
Material - Metal	Copper Alloy
Material - Plating Mating	Tin over Nickel
Material - Plating Termination	Tin over Nickel
Net Weight	14.300/mg
Packaging Type	Reel
Plating min - Mating	0.406µm
Termination Interface: Style	Crimp or Compression
Wire Insulation Diameter	0.80-1.0mm
Wire Size AWG	26, 28
Wire Size mm ²	0.08-0.13

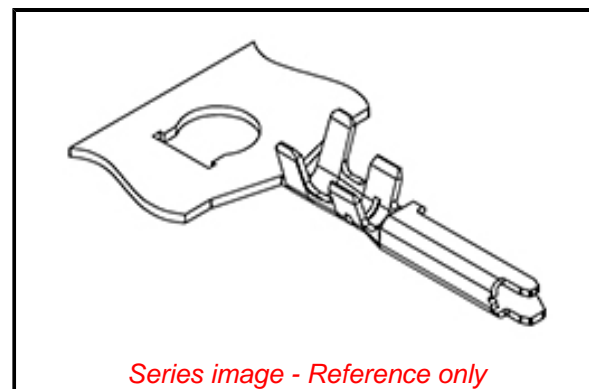
Electrical

Current - Maximum per Contact	1.0A
Voltage - Maximum	50V AC (RMS)/DC

Material Info

Reference - Drawing Numbers

Crimp Specification	CS-502381-001-001
Packaging Specification	SPK-502381-001-001
Product Specification	2028120000-000, PS-502382-001-001
Sales Drawing	SD-502381-001



EU ELV

Compliant

EU RoHS

Compliant

REACH SVHC

Not Contained Per - ED/61/2018 (27 June 2018)

Halogen-Free

Status

Low-Halogen

Need more information on product environmental compliance?

Email productcompliance@molex.com
Please visit the [Contact Us](#) section for any non-product compliance questions.

China ROHS	Green Image
ELV	Compliant
Prop65	Compliant
RoHS Phthalates	Not Contained

Search Parts in this Series

[502381](#) Series

Use With

[502380](#) CLIK-Mate Housing, [104105](#) Illuminate Housing, [104099](#) HDR Housing