

Locating Clamps

23230.0040

Product Description

Suitable for a simultaneous "positioning" and "clamping" of workpieces. The locating element is a precision element which can be assembled from either side. The clamping and locating part adapted to the workpiece is screwed to the cylindrical support. Clamping and locating parts are manufactured by the user according to the individual requirements.



Material

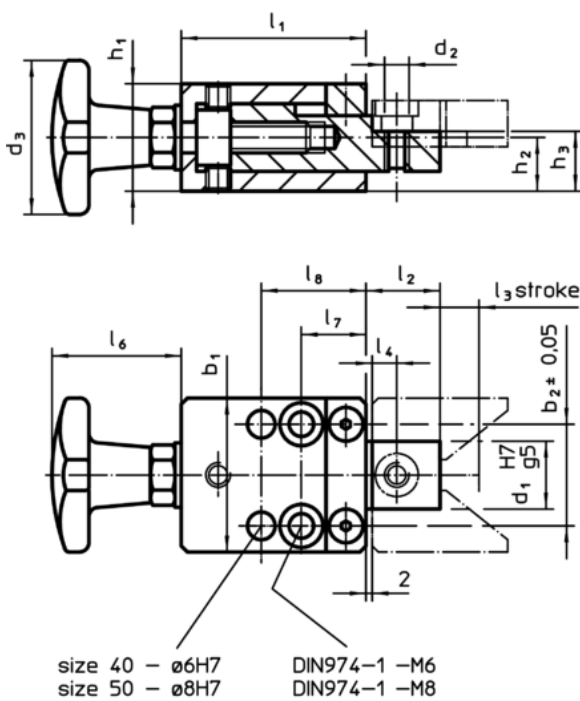
Handle

- Grey cast iron DIN 6335, orange plastic-coated

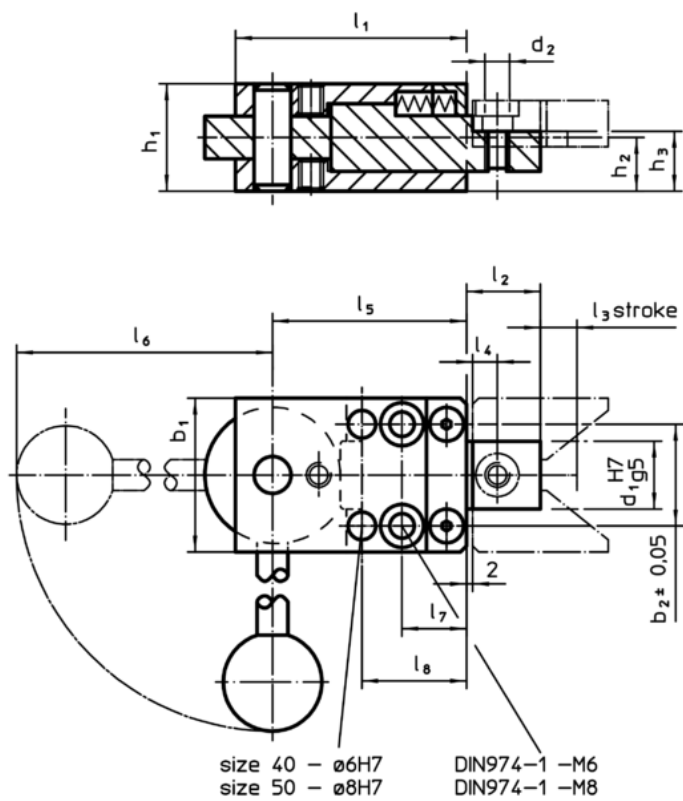
Clamp

- Steel, case-hardened, blackened, ground

Drawing



picture 1

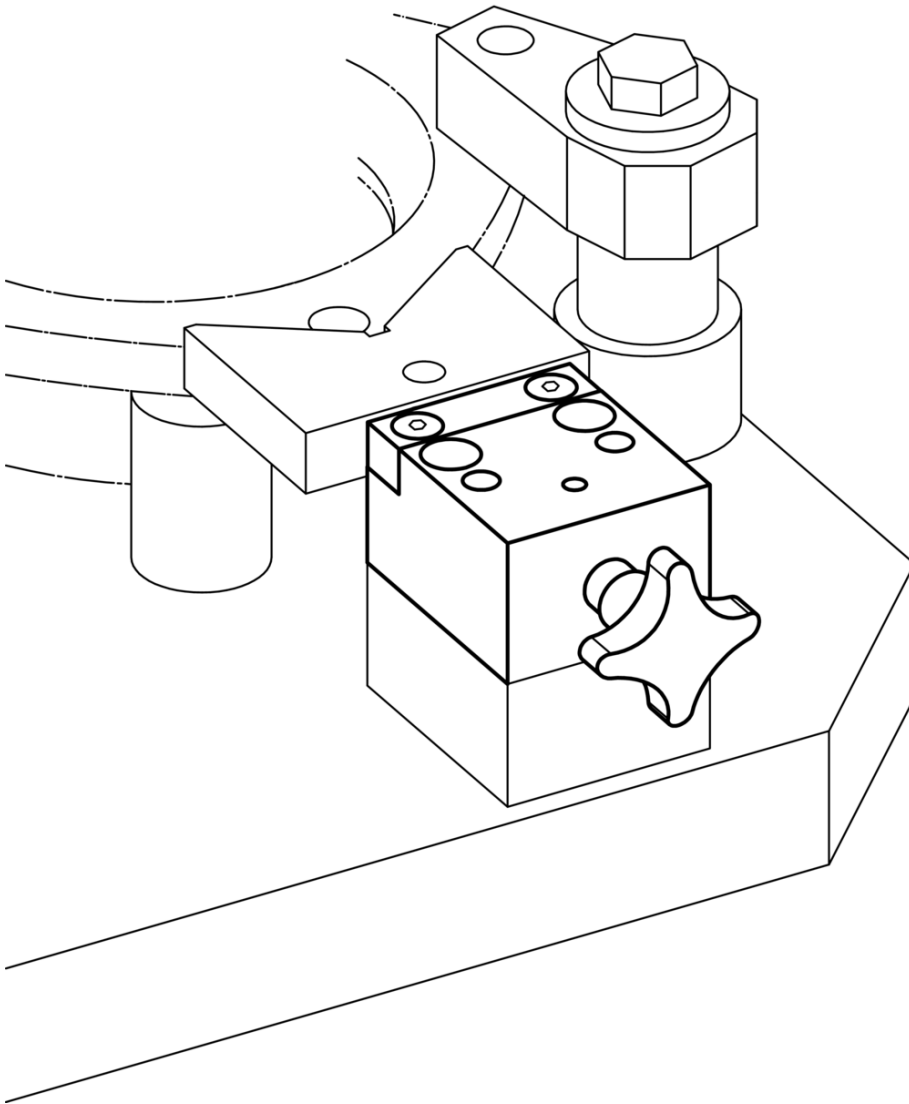


picture 2

Order information

Dimensions															[g]	Art. No.
b_1	$b_2 \pm 0.05$	d_1 H7 g5	d_2	d_3	h_1	h_2	h_3	l_1	l_2	l_3	l_4	l_6	l_7	l_8		
with palm grip – picture 1																
40	27	18	M6	40	29.8	14.9	16.9	50	19	9	8	33	17	28	505	23230.0040

Application example



Compliance

RoHS compliant

Compliant according to Directive 2011/65/EU and Directive 2015/863

Does not contain SVHC substances

No SVHC substances with more than 0.1% w/w contained - SVHC list [REACH] as of 10.06.2022

Does not contain Proposition 65 substances

No Proposition 65 substances included
<https://www.P65Warnings.ca.gov/>

Free from Conflict Minerals

This product does not contain any substances designated as "conflict minerals" such as tantalum, tin, gold or tungsten from the Democratic Republic of Congo or adjacent countries.