

Versatile power entry module

FN 380

- Up to 6A current ratings
- IEC 950-compliant (twin fuse configurations only)
- For one or two fuses (Ø5 x 20 or Ø6.3 x 32mm)
- General-purpose application
- Nennstrom bis 6A
- IEC 950 konform (nur Konfigurationen mit zwei Sicherungen)
- Für eine oder zwei Sicherungen (Ø5 x 20mm oder Ø6,3 x 32mm)
- Universeller Einsatz
- Courants de service pouvant atteindre 6A
- Conforme à CEI 950 (uniquement pour les configurations à deux fusibles)
- Pour un ou deux fusibles (Ø5 x 20mm ou Ø6,3 x 32mm)
- Applications universelles



Filter selection table

Choose the family FN xxx with the required body style and features, and add -?? to determine current rating. Example: FN 388-2 is a horizontal screw-mounting filter for twin fuses, rated for 2A, with mini fast-on outputs.

Approvals



Family	Current ratings A at 40°C (25°)			Housing style		For fuse(s)	Weight
	2 (2.4)	4 (4.8)	6 (7.2)			Nbr.	g
FN 380 -?? /..	-2	-4	-6			1	55
FN 382 -?? /..	-2	-4	-6			2	55
FN 386 -?? /..	-2	-4	-6			1	55
FN 388 -?? /..	-2	-4	-6			2	60
Inductance L mH							
	0.7	0.3	0.18				

Family	Current ratings A at 40°C (25°)			Housing style		For fuse(s)	Weight
	2 (2.4)	4 (4.8)	6 (7.2)			Nbr.	g
FN 385 -?? /..	-2	-4	-6			2	65
FN 389 -?? /..	-2	-4	-6			2	70
Inductance L mH							
	2	0.8	0.5				

Additional specifications

Filter type	Capacitance		Maximum leakage µA/phase	Res. R MΩ	Maximum operating volt.		Operating frequency Hz	Hipot test voltage	
	Cx nF	Cy nF			VAC	Hz		PN→E VAC	P→N VDC
All standard types	47	2.2	190		250	50/60	50 to 400	2000	1100
FN 389B types (medical)	47		2	1	250	50/60	50 to 400	2500	1100

MTBF at 40°C, 230V, per Mil-HB-217F: 550,000 hours

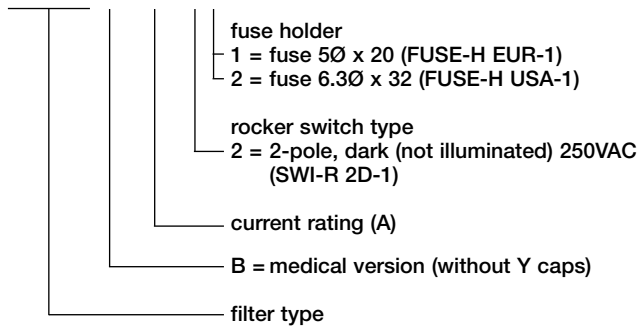
B types are optional

Filter selection: additional specifications

Ordering information:

The filters of this family can be ordered as standard, fully mounted products (excluding the fuse) as follows:

FN 389 & - 6 / x y



Fuse holder description

Fuse Holder	Part no.	Size
1	FUSE-H-EUR-1	5 x 20mm
2	FUSE-H-USA-1	6.3 x 32mm

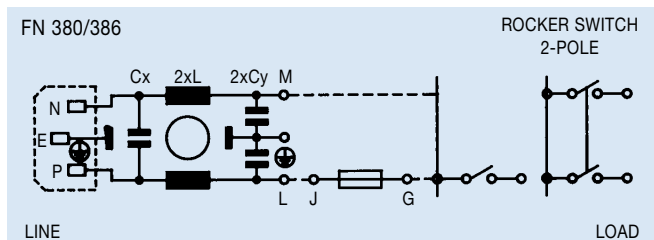
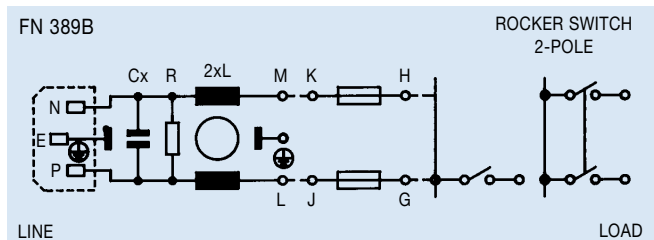
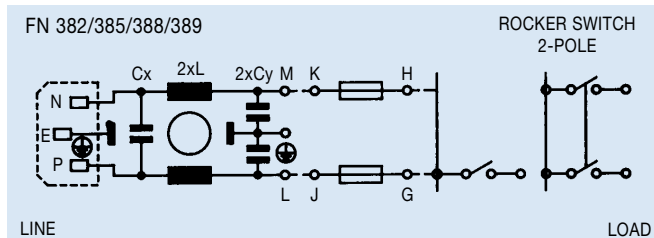
Rocker switch description

Rocker switch type	Part no.	Function	2-pole, dark	2-pole, illuminated, 100-250 VAC*
2	SWI-R 2D-1	2-pole, dark (not illuminated) 250VAC	Rated current: 6 (4)A/250V 50,000 on-off operations	Rated current: 6 (2)A/250V 10,000 on-off operations • full illumination at 100VA • max. operating temperature for red: 65°C

Values in () relate to the inductive current charge, $\cos \gamma = 0.65$

* Attention: illuminated rocker switch only available on special request

Electrical schematics

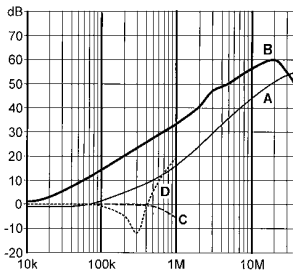


See tables for component values

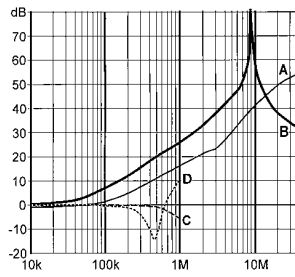
FN 380 insertion loss

Per CISPR 17; A = 50Ω/50Ω sym, B = 50Ω/50Ω asym, C = 0.1Ω/100Ω sym, D = 100Ω/0.1Ω sym

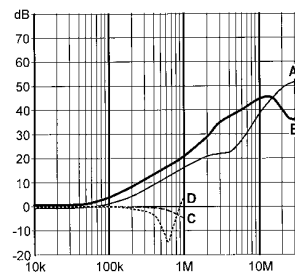
2 amp types (FN 380/382/386/388)



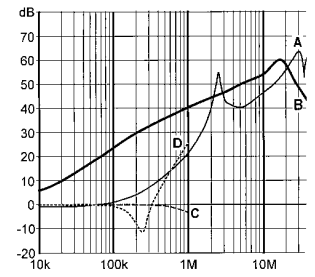
4 amp types (FN 380/382/386/388)



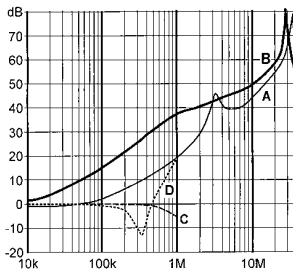
6 amp types (FN 380/382/386/388)



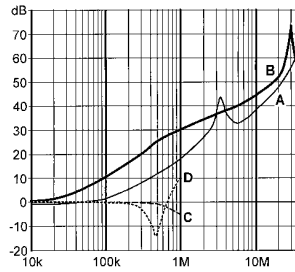
2 amp types (FN 385/389)



4 amp types (FN 385/389)



6 amp types (FN 385/389)



Mechanical data / electrical connection summary

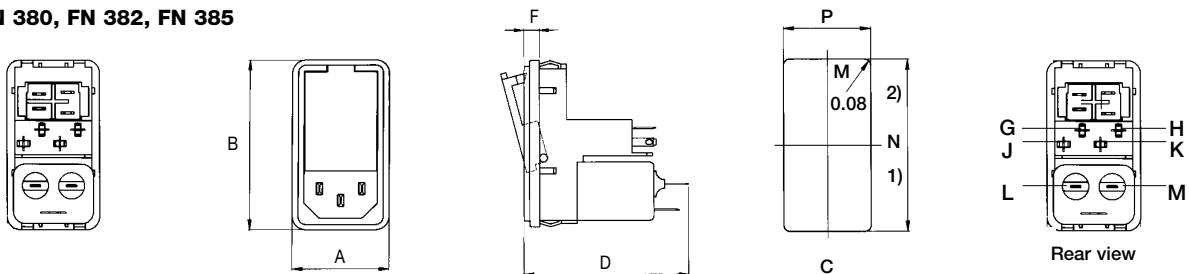
	FN 380/82	FN 385	FN 386/88	FN 389	Tol. mm
A	32		50		± 0.3
B		58			± 0.3
C			40		± 0.1
D	56.5	66.5	56.5	66.5	-
F		5.5			-
H			Ø3.3		-
M		R≤2			± 0.1
N		55.9 ⁽¹⁾ - 56.2 ⁽²⁾			+0.2 -0
P		28.5			+0.2 -0
R			M3		-
S			90°		-

⁽¹⁾ Wall thickness 0.8mm to 2.0mm ⁽²⁾ Wall thickness 2.1mm to 3.2mm

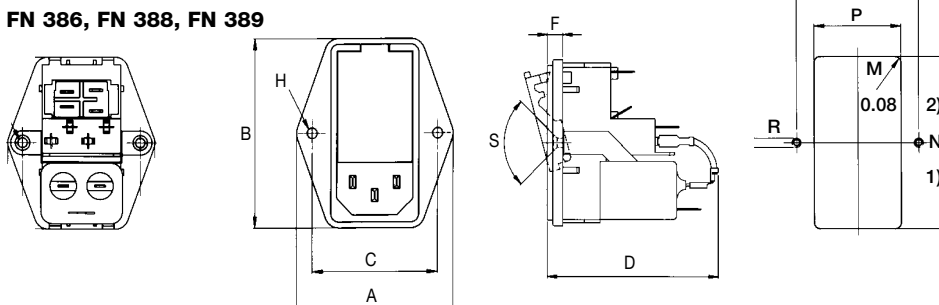
Thickness of mounting panels

1) 0.8 - 2.0mm	55.9 ^{+0.2} -0
2) 2.1 - 3.2mm	56.2 ^{+0.2} -0

FN 380, FN 382, FN 385



FN 386, FN 388, FN 389



All dimensions in mm; 1 inch = 25.4mm