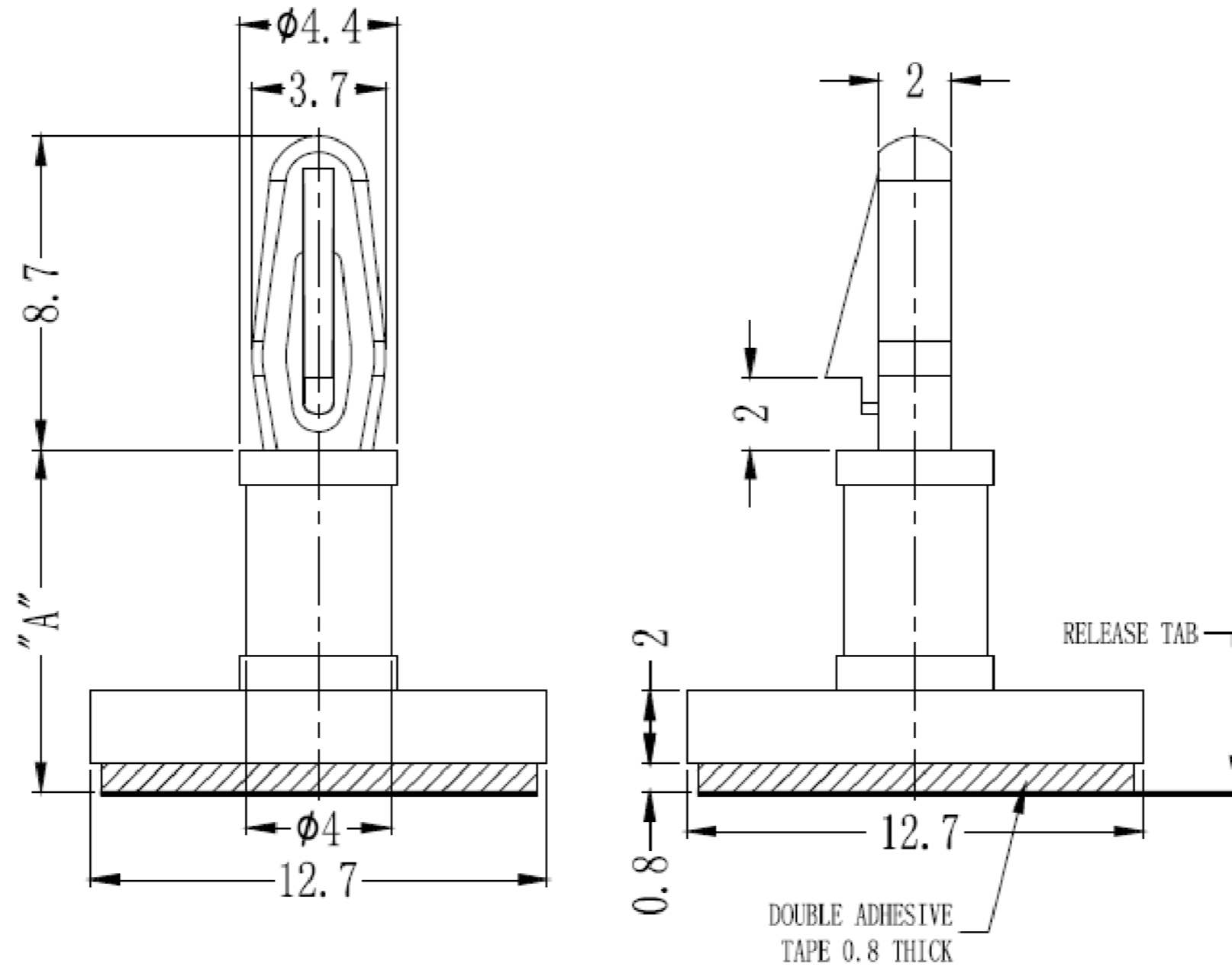


DEBUR AND BREAK SHARP EDGES

DO NOT SCALE DRAWING

REVISION



PART No.	"A"
TRLCBSBM-3-01A-RT	4.8
TRLCBSBM-4-01A-RT	6.4
TRLCBSBM-5-01A-RT	7.9
TRLCBSBM-6-01A-RT	9.5
TRLCBSBM-7-01A-RT	11.1
TRLCBSBM-8-01A-RT	12.7
TRLCBSBM-9-01A-RT	14.3
TRLCBSBM-10-01A-RT	15.9

NOTES

- 1, MATERIAL: PA66 UL94 V2;
- 2, COLOR: NATURAL;
- 3, ROHS Compliant;
- 4, Hole: Snap-lock:  $\phi 3.18$ ;
- Panel Thickness: 1.57mm.



DESIGN RIGHT. TR FASTENINGS LTD, 2003  
 UNDER NO CIRCUMSTANCES MUST THIS  
 DRAWING BE COPIED OR DISCLOSED,  
 WITHOUT FIRST OBTAINING WRITTEN  
 AUTHORITY.

UNLESS OTHERWISE SPECIFIED:  
 DIMENSIONS ARE IN MILLIMETERS  
 SURFACE FINISH:  
 TOLERANCES:

ISO 2768 m

NAME	DATE
DRAWN MARTIN ELLIOTT	10/07/14
CHK'D	
APP'VD	

CUSTOMER PART No

MATERIAL:

SEE NOTES

HEAT TREATMENT

N/A

FINISH:

N/A

TITLE:

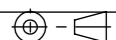
CIRCUIT BOARD  
 SUPPORT ON BASE

DWG NO.

TRLCBSBM-X-01A-RT

A3

PROJECTION



SHEET 1 OF 1