



# MASTER CityWhite CDO-TT

## MASTER CityWh CDO-TT Plus 250W/830 E40

Ceramic metal halide lamp with clear tubular outer bulb shape, used in outdoor offering pleasant white light

### Warnings and Safety

- Use only in totally enclosed luminaire, even during testing (IEC61167, IEC 62035, IEC60598)
- The luminaire must be able to contain hot lamp parts if the lamp ruptures
- Lamps may use electromagnetic control gear or electronic gear suitable to drive CDO lamps (e.g. HID-PV Xt CDO)
- Control gear must include end-of-life protection (IEC61167, IEC 62035)
- Warm restart time can be up to 15 minutes; T15 ignitors therefore advised
- A lamp breaking is extremely unlikely to have any impact on your health. If a lamp breaks, ventilate the room for 30 minutes and remove the parts, preferably with gloves. Put them in a sealed plastic bag and take it to your local waste facilities for recycling. Do not use a vacuum cleaner.

### Product data

General Information		Correlated Color Temperature (Nom)		3000 K
Cap-Base	E40	Color rendering index (CRI)	88	
Operating Position	UNIVERSAL [Any or Universal (U)]	Arc Length O (Nom)	12.1 mm	
Flux measurement reference	Sphere	<b>Operating and Electrical</b>		
Life to 50% Failures (Nom)	23,000 hour(s)	Power Consumption	250.0 W	
<b>Light Technical</b>		Voltage (Nom)	99 V	
Color Code	830 [CCT of 3000K]	<b>Controls and Dimming</b>		
Luminous Flux	28,400 lm	Dimmable	Yes	
Luminous Efficacy (rated) (Nom)	113 lm/W	<b>Mechanical and Housing</b>		
Color Designation	Warm White (WW)	Bulb Finish	Clear	
Chromaticity Coordinate X (Nom)	0.434			
Chromaticity Coordinate Y (Nom)	0.398			

# MASTER CityWhite CDO-TT

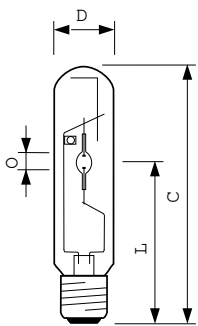
Bulb Shape	T46
<b>Approval and Application</b>	
Energy Efficiency Class	F
Mercury (Hg) Content (Max)	25 mg
Mercury (Hg) Content (Nom)	25.3 mg
Energy Consumption kWh/1000 h	250 kWh
EPREL Registration Number	473329

## Product Data

Order product name	MASTER CityWh CDO-TT Plus 250W/830 E40
--------------------	--

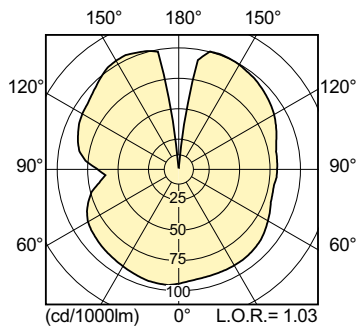
Full product name	MASTER CityWh CDO-TT Plus 250W/830 E40
Full product code	871829112197800
Order code	928082319230
Material Nr. (12NC)	928082319230
Net Weight (Piece)	0.161 kg
EAN/UPC - Product/Case	8718291121978
Numerator - Packs per outer box	12
EAN/UPC - Case	8718291121985

## Dimensional drawing

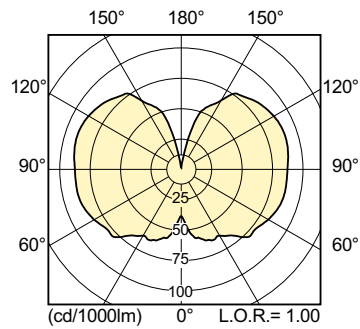


Product	D (max)	O	L	C (max)
MASTER CityWh CDO-TT Plus 250W/830 E40	47 mm	12.1 mm	157 mm	257 mm

## Photometric data



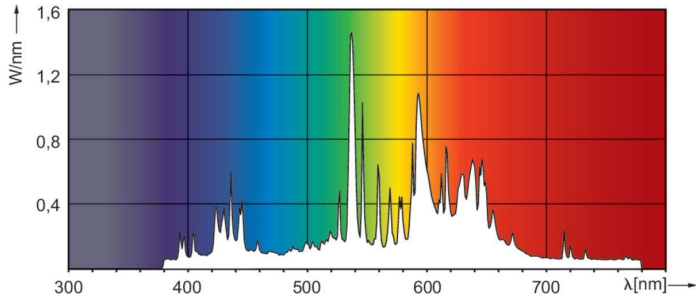
Light Distribution Diagram - MASTER CityWh CDO-TT Plus 250W/830 E40



Light Distribution Diagram - MASTER CityWh CDO-TT Plus 250W/830 E40

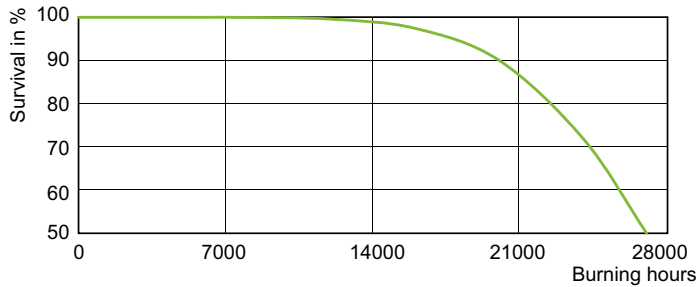
# MASTER CityWhite CDO-TT

## Photometric data

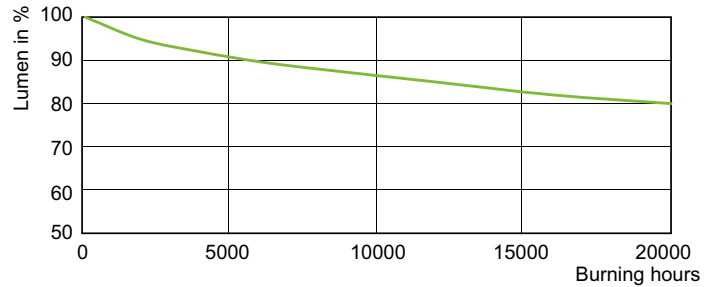


Spectral Power Distribution Colour - MASTER CityWh CDO-TT Plus  
250W/830 E40

## Lifetime



LDLE\_CDO-TT\_0005-Life expectancy diagram



Lumen Maintenance Diagram - MASTER CityWh CDO-TT Plus 250W/830  
E40

