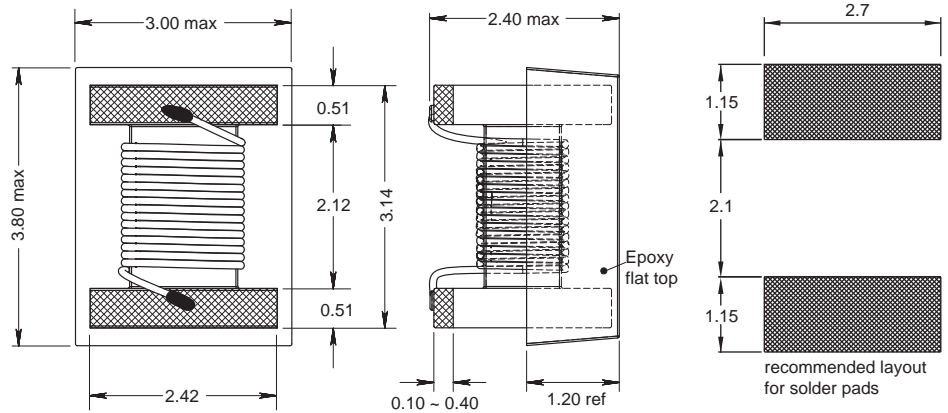
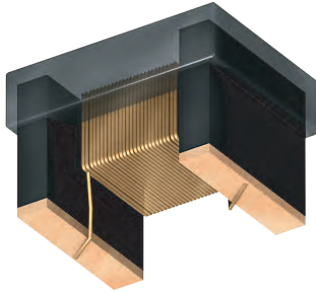


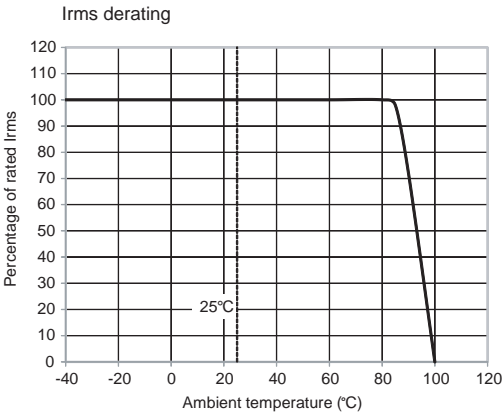
1210 F

Engineer's Kit : EK-1210F-X

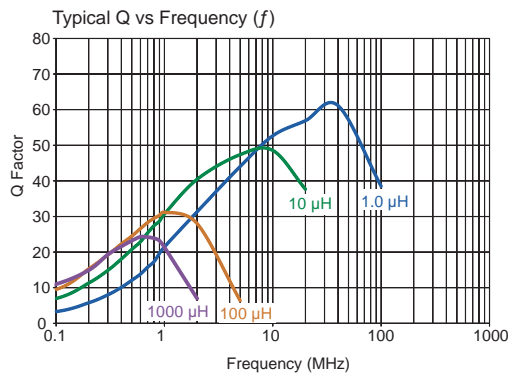
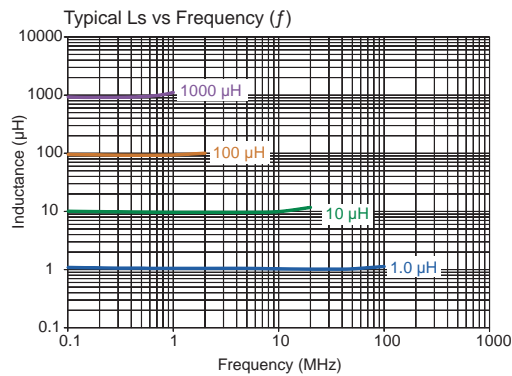


Chip Inductors for RF Applications

Wire wound - open



Current carrying capacity dependent on the ambient temperature



| Part No | Inductance | f _L | Tol | Q | f _α | SRF | DCR | Rated DC |
|---------------|------------|----------------|-------|-----|----------------|-----------|---------|------------------|
| | L (µH) | (MHz) | ± (%) | min | (MHz) | min (MHz) | max (Ω) | Current max (mA) |
| 1210F-R10K-YY | 0.1 | 25 | 10 | 40 | 25 | 375 | 0.15 | 1131 |
| 1210F-1R0K-YY | 1.0 | 1 | 10 | 30 | 7.96 | 200 | 0.28 | 600 |
| 1210F-1R2K-YY | 1.2 | 1 | 10 | 30 | 7.96 | 200 | 0.32 | 560 |
| 1210F-1R5K-YY | 1.5 | 1 | 10 | 30 | 7.96 | 200 | 0.34 | 535 |
| 1210F-1R8K-YY | 1.8 | 1 | 10 | 30 | 7.96 | 150 | 0.41 | 490 |
| 1210F-2R2K-YY | 2.2 | 1 | 10 | 30 | 7.96 | 150 | 0.43 | 480 |
| 1210F-2R7K-YY | 2.7 | 1 | 10 | 30 | 7.96 | 150 | 0.49 | 450 |
| 1210F-3R3K-YY | 3.3 | 1 | 10 | 30 | 7.96 | 90 | 0.55 | 425 |
| 1210F-3R9K-YY | 3.9 | 1 | 10 | 30 | 7.96 | 80 | 0.59 | 410 |
| 1210F-4R7K-YY | 4.7 | 1 | 10 | 30 | 7.96 | 70 | 0.65 | 390 |
| 1210F-5R6K-YY | 5.6 | 1 | 10 | 30 | 7.96 | 40 | 0.71 | 375 |
| 1210F-6R8K-YY | 6.8 | 1 | 10 | 27 | 7.96 | 28 | 0.78 | 360 |
| 1210F-8R2K-YY | 8.2 | 1 | 10 | 27 | 7.96 | 25 | 0.92 | 330 |
| 1210F-100K-YY | 10 | 1 | 10 | 27 | 2.52 | 15 | 0.98 | 320 |
| 1210F-120K-YY | 12 | 0.1 | 10 | 27 | 2.52 | 13 | 1.10 | 300 |
| 1210F-150K-YY | 15 | 0.1 | 10 | 27 | 2.52 | 12 | 1.25 | 280 |
| 1210F-180K-YY | 18 | 0.1 | 10 | 27 | 2.52 | 11 | 1.35 | 270 |
| 1210F-220K-YY | 22 | 0.1 | 10 | 27 | 2.52 | 10 | 1.45 | 260 |
| 1210F-270K-YY | 27 | 0.1 | 10 | 26 | 2.52 | 9.0 | 1.65 | 245 |
| 1210F-330K-YY | 33 | 0.1 | 10 | 25 | 2.52 | 8.0 | 1.85 | 230 |
| 1210F-390K-YY | 39 | 0.1 | 10 | 25 | 2.52 | 7.0 | 2.05 | 220 |
| 1210F-470K-YY | 47 | 0.1 | 10 | 25 | 2.52 | 6.5 | 2.30 | 210 |
| 1210F-560K-YY | 56 | 0.1 | 10 | 24 | 2.52 | 6.0 | 2.50 | 200 |
| 1210F-680K-YY | 68 | 0.1 | 10 | 23 | 2.52 | 5.5 | 2.80 | 190 |
| 1210F-820K-YY | 82 | 0.1 | 10 | 22 | 2.52 | 5.0 | 3.20 | 175 |
| 1210F-101K-YY | 100 | 0.1 | 10 | 22 | 2.52 | 4.5 | 4.70 | 145 |
| 1210F-121K-YY | 120 | 0.1 | 10 | 30 | 2.52 | 4.2 | 5.20 | 140 |
| 1210F-151K-YY | 150 | 0.1 | 10 | 30 | 0.796 | 4.0 | 6.10 | 130 |
| 1210F-181K-YY | 180 | 0.1 | 10 | 27 | 0.796 | 3.6 | 6.90 | 120 |
| 1210F-221K-YY | 220 | 0.1 | 10 | 25 | 0.796 | 3.3 | 7.50 | 115 |
| 1210F-271K-YY | 270 | 0.1 | 10 | 23 | 0.796 | 3.0 | 12.5 | 90 |
| 1210F-331K-YY | 330 | 0.1 | 10 | 23 | 0.796 | 2.8 | 14.1 | 85 |
| 1210F-391K-YY | 390 | 0.1 | 10 | 23 | 0.796 | 2.5 | 15.3 | 80 |
| 1210F-471K-YY | 470 | 0.1 | 10 | 22 | 0.796 | 2.3 | 20.5 | 75 |
| 1210F-561K-YY | 560 | 0.1 | 10 | 22 | 0.796 | 2.2 | 23.0 | 70 |
| 1210F-681K-YY | 680 | 0.1 | 10 | 22 | 0.796 | 1.9 | 25.0 | 65 |
| 1210F-821K-YY | 820 | 0.1 | 10 | 20 | 0.796 | 1.7 | 28.0 | 60 |
| 1210F-102K-YY | 1000 | 0.1 | 10 | 18 | 0.796 | 1.6 | 32.0 | 55 |

Core Material : Ferrite

Revision date : 03 Sep 2020

SPQ : Taped / Reel 800 [-01]
3000 [-04]

Remarks: - Unlisted inductance values available upon request.
- 2% and 5% tolerance available upon request.