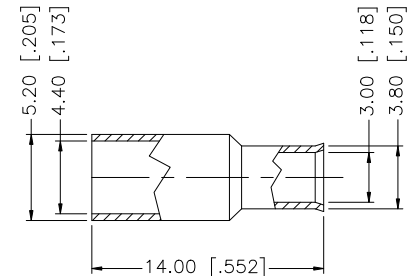
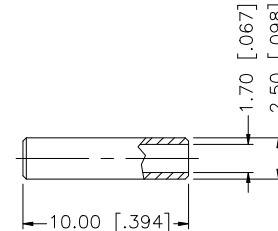
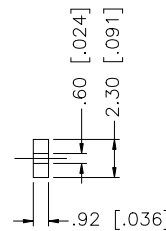
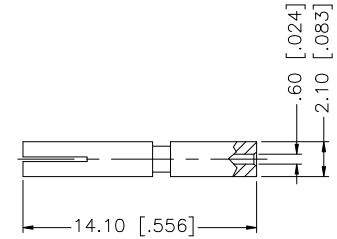
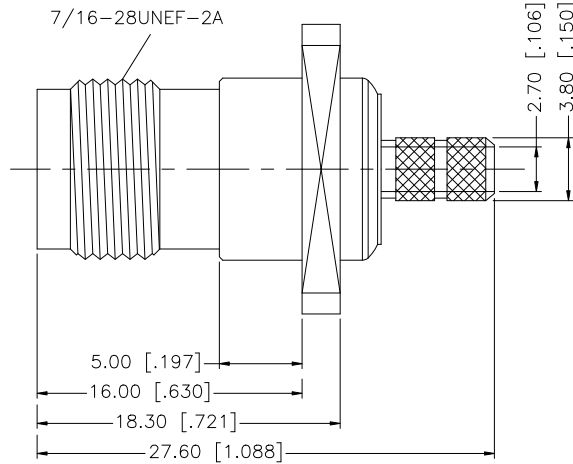
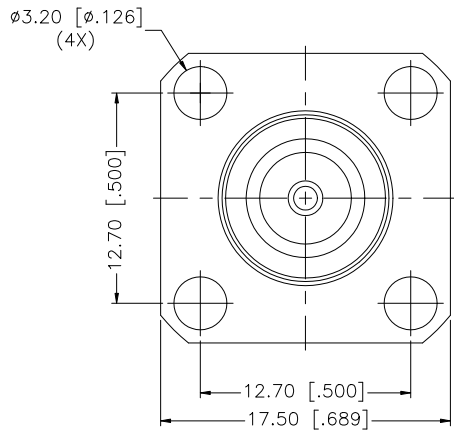
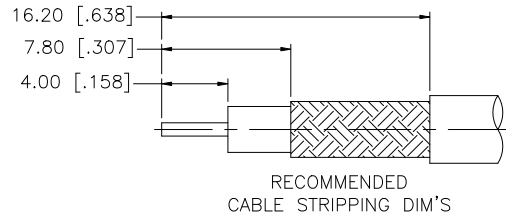


REV.	DATE	ECR NO.	DESCRIPTION
NC	09/29/04	-	INITIAL RELEASE
A	12/28/08	-	DESIGN CHANGE - ADD INSULATOR



NOTE:

1. CRIMPED FERRULE HEX CRIMP SIZE .178" [4.52]
2. CRIMPED CONTACT PIN HEX CRIMP SIZE .068" [1.73]

DESCRIPTION	MATERIAL	FINISH	QTY	DO NOT SCALE DRAWING	APPROVALS	DATE	Amphenol Connex							
8							TNC PANEL CRIMP JACK (RG-174/U, 188A/U, 316/U)							
7						PART DESCRIPTION								
6	FERRULE	COPPER	NICKEL	1	DRAWN	GRS					PART NO.			
5	SLEEVE	BRASS	NICKEL	1	CHECKED						122246			
4	INSULATOR	PTFE	NATURAL	1	ISSUED						DWG. NO. 122246.DWG			
3	CONTACT PIN	BER. COPPER	GOLD	1	SHEET	1 OF 1	REV. A							
2	INSULATOR	DELRIN	NATURAL	1	CAD FILE		SCALE NA							
1	BODY	BRASS	NICKEL	1	C:/122/122246.DWG									

UNLESS OTHERWISE SPECIFIED DIMENSIONS ARE IN MILLIMETERS. DIMENSIONS IN [] ARE IN INCHES AND FOR CUSTOMER REFERENCE ONLY.

UNLESS OTHERWISE SPECIFIED TOLERANCES FOR MILLIMETERS ARE:
 0.5 - 8mm ± 0.20mm
 8 - 30mm ± 0.40mm
 30 - 120mm ± 0.50mm

UNLESS OTHERWISE SPECIFIED TOLERANCES FOR INCHES ARE:
 .020 - .315 = ± 0.007"
 .315 - 1.180 = ± 0.015"
 1.180 - 4.724 = ± 0.020"