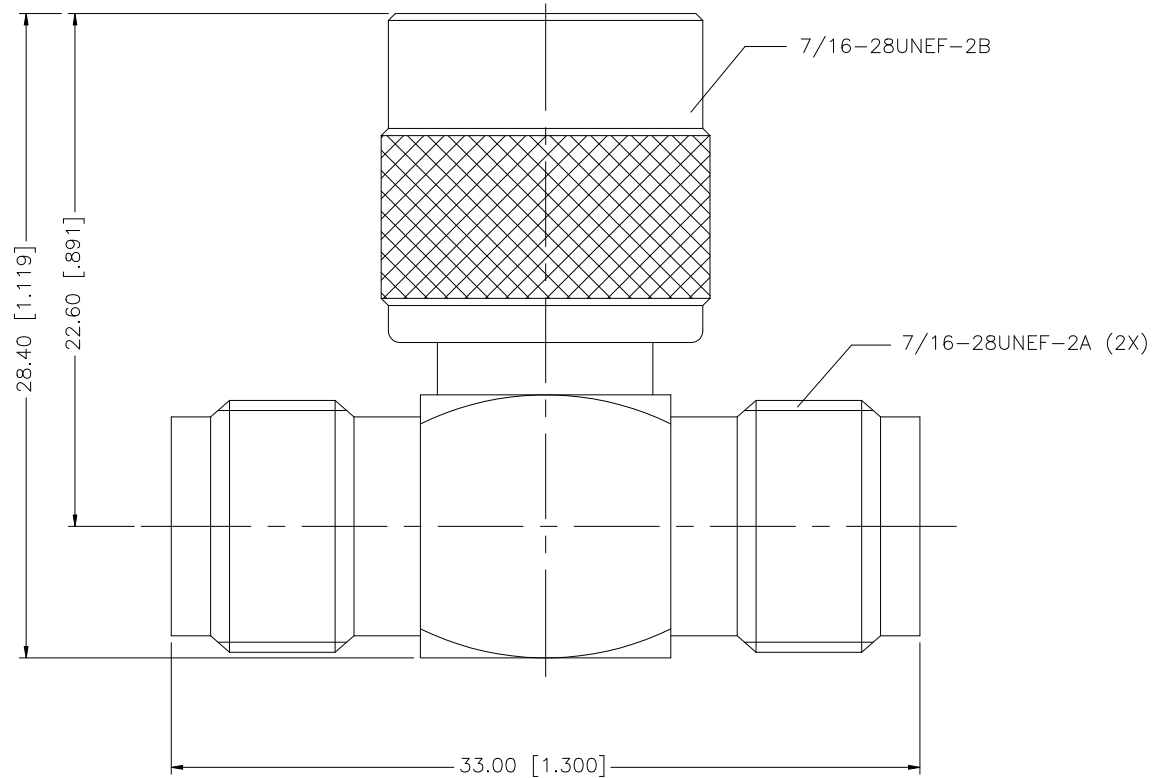


REV.	DATE	ECR NO.	DESCRIPTION
NC	11/25/08	-	INITIAL RELEASE



				UNLESS OTHERWISE SPECIFIED DIMENSIONS ARE IN MILLIMETERS. DIMENSIONS IN [] ARE IN INCHES AND FOR CUSTOMER REFERENCE ONLY.	APPROVALS	DATE	Amphenol Connex				
8					DRAWN	GRS					11/25/08
7					CHECKED			PART NO. 122356			
6					ISSUED						
5	CONTACT PIN	BRASS	GOLD	1	SHEET	1 OF 1		REV. NC	SIZE A	SCALE NA	
4	CONTACT PIN	PHOS. BRONZE	GOLD	1	CAD FILE		C:/122/122356.DWG				
3	INSULATOR	DELRIN	NATURAL	2	DO NOT SCALE DRAWING						
2	BODY	BRASS	NICKEL	1							
1	SHELL/HOUSING	BRASS	NICKEL	1							