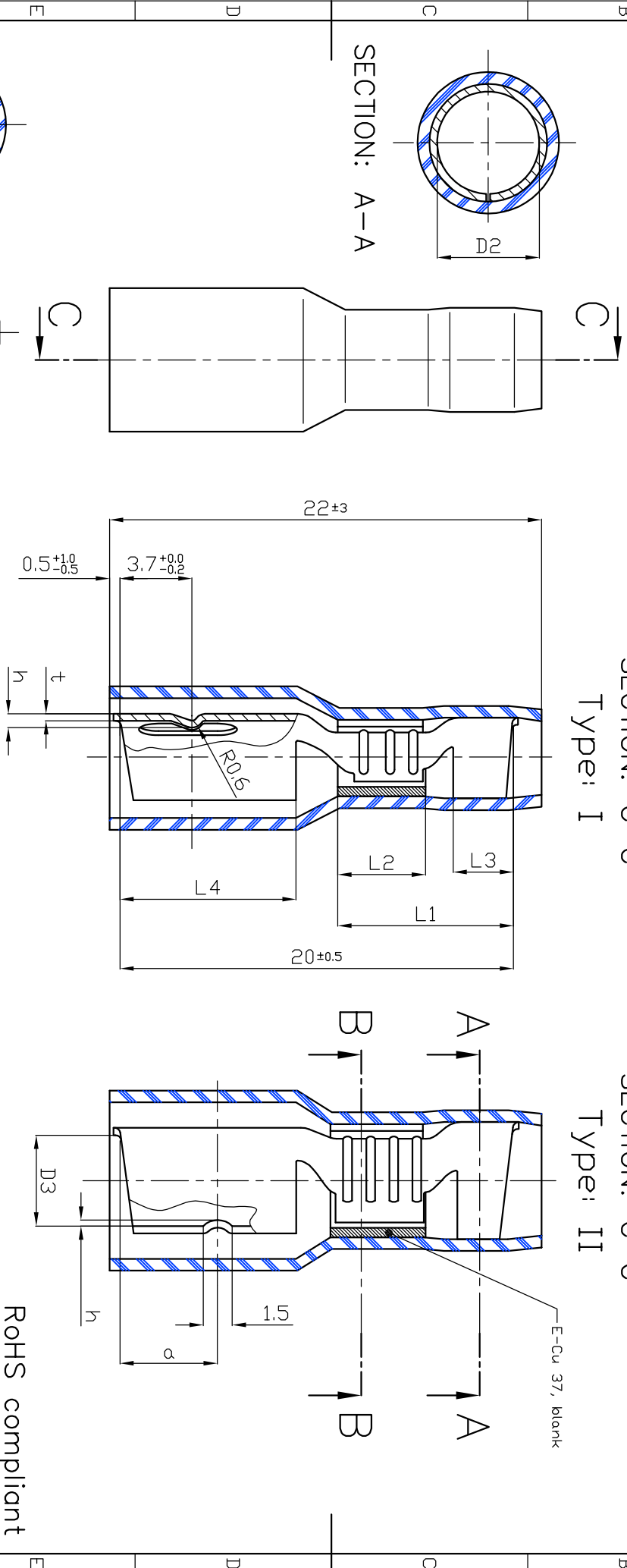


WIRE RANGE	TYPE	PART No.	SOCKET CONNECTORS		PVC	DIMENSIONS									
			PIN DIAMETER	MATERIAL FINISH		COLOR	D1	D2	D3	L1	L2	L3	L4	h	a
0,5-1	I	35004,000,000	4	CuSn6Zn6 F58 / Sn 3	RED	±0,3	±0,3	3,7 ^{+0,15}	8	3,5	3	9	0,7	-	0,35
1,5-2,5		35005,000,000	5	CuSn6Zn6 F58 / Sn 3	BLUE	±0,3	±0,5	4,1 ^{+0,15}	8	3,5	3	9	0,7	-	0,38
4-6	II	35078,000,000	4	CuSn6Zn6 F58 / Sn 3	BLUE	±0,3	±0,5	3,8	3,7 ^{+0,15}	8	4,5	2	9	0,7	0,35
		35079,000,000	5	CuSn6Zn6 F58 / Sn 3	YELLOW	±0,3	±0,5	5,2	4,62 ^{+0,1}	9	4,5	2,8	9	0,3	5,0



SECTION: C-C
Type: I

SECTION: C-C
Type: II



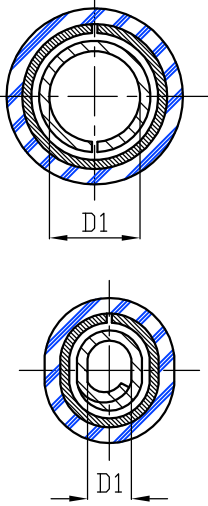
ROHS compliant

IF IN DOUBT ASK CUSTOMER DRAWING

Drawn: JP	Date: 23.10.07	Material: SEE TABLE
Authorised: MM	Date: 23.10.07	Finish: SEE TABLE

ALL DIMENSIONS IN MILLIMETERS
This drawing and the designs therein are the industrial property of Utilux. They may not be copied, used or disclosed without written permission from Utilux

General Toler.: DIN 16901-, ISO 2768-m	23.10.2007	JP	REDRAWN FROM: 20305	01
Scale: 5:1	Date	By	Wire Range: SEE TABLE	Iss
Title: SOCKET CONNECTORS WITH INSULATION SLEEVE	Modifications			
Drawing No: 35004 -03				



SECTION: A-A
ONLY: 35051
SECTION: B-B