

OMNIMATE Power - Powerbus series BV/SV 7.62HP KO

Weidmüller Interface GmbH & Co. KG
 Klingenbergstraße 16
 D-32758 Detmold
 Germany
 Fon: +49 5231 14-0
 Fax: +49 5231 14-292083
 www.weidmueller.com

Product image



Similar to illustration

Only connects what is supposed to be connected: the right connection at the right place.

Coding elements and locking devices clearly assign connecting elements during the manufacturing process and operation

The coding elements and locking devices are inserted prior to assembly or during the cable assembly phase.

The Weidmüller alternative: configure online using the variant configurator to precode prior to delivery.

Incorrect assembly on the circuit board and incorrect plugging of connecting elements is no longer possible.

The advantage: no troubleshooting during manufacture and no operational errors by the user.

General ordering data

Type	BV/SV 7.62HP KO
Order No.	1937590000
Version	PCB plug-in connector, Accessories, Coding element, black, No. of poles: 1
GTIN (EAN)	4032248608881
Qty.	50 pc(s).
Product data	
Packaging	Box

Data sheet

OMNIMATE Power - Powerbus series BV/SV 7.62HP KO

Weidmüller Interface GmbH & Co. KG
 Klingenbergstraße 16
 D-32758 Detmold
 Germany
 Fon: +49 5231 14-0
 Fax: +49 5231 14-292083
 www.weidmueller.com

Technical data

Dimensions and weights

Net weight 1.58 g

Material data

Colour	black	Colour chart (similar)	RAL 9011
Storage temperature, min.	-25 °C	Storage temperature, max.	55 °C
Max. relative humidity during storage	80 %	Operating temperature, min.	-50 °C
Operating temperature, max.	100 °C	Temperature range, installation, min.	-25 °C
Temperature range, installation, max.	100 °C		

Rated data acc. to IEC

tested acc. to standard IEC 60664-1, IEC 61984

Packing

Packaging	Box	VPE length	25 mm
VPE width	60 mm	VPE height	100 mm

Classifications

ETIM 6.0	EC002943	UNSPSC	30-21-18-01
eClass 6.2	27-26-92-01	eClass 7.1	27-44-92-02
eClass 8.1	27-44-92-02	eClass 9.0	27-44-04-92
eClass 9.1	27-44-04-92		

Notes

Notes

IPC conformity Conformity: The products are developed, manufactured and delivered according international recognized standards and norms and comply with the assured properties in the data sheet resp. fulfill decorative properties in accordance with IPC-A-610 "Class 2". Further claims on the products can be evaluated on request.

Approvals

ROHS Conform

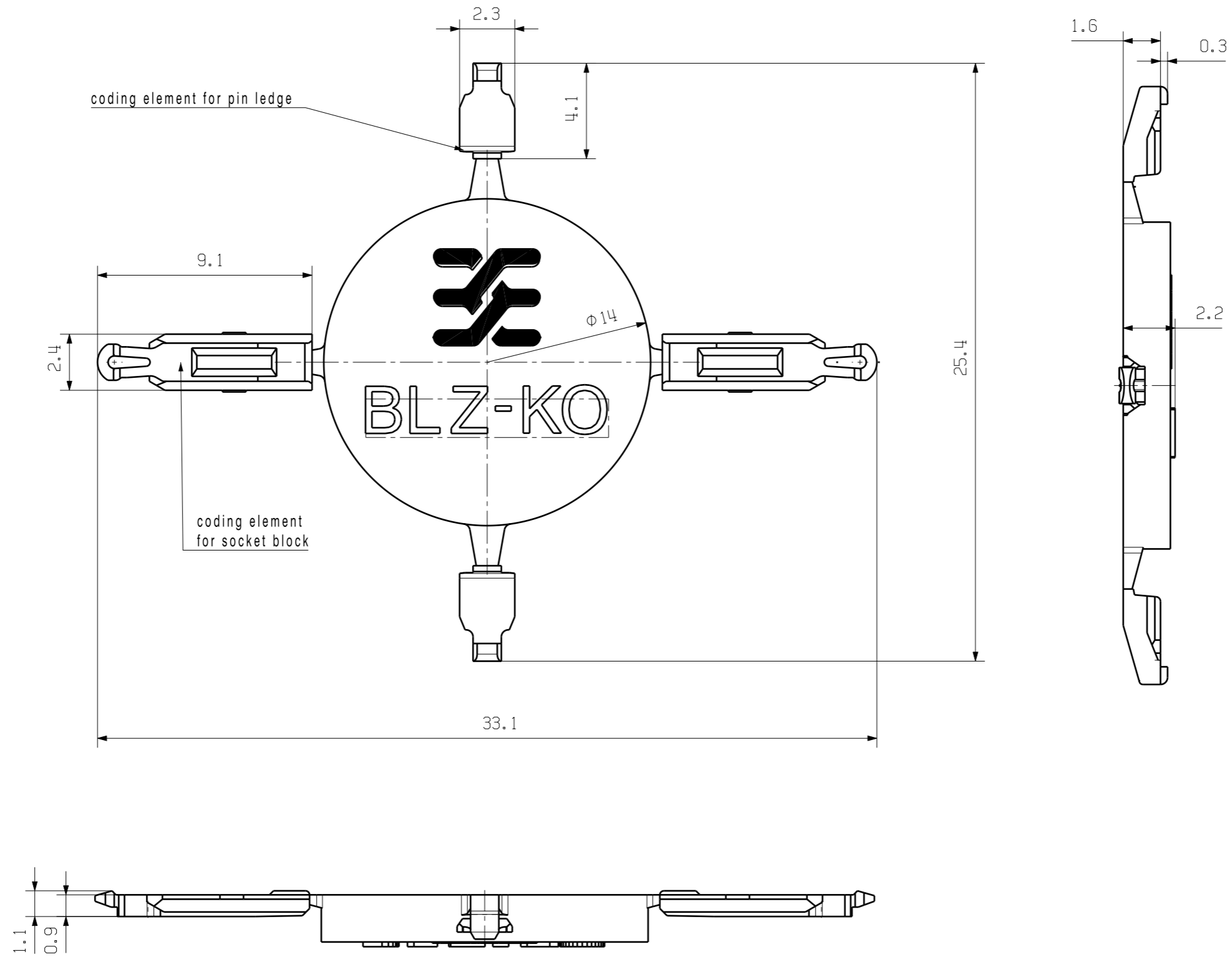
Downloads

Approval/Certificate/Document of Conformity

[Declaration of the Manufacturer](#)

Brochure/Catalogue

[FL DRIVES EN](#)
[MB DEVICE MANUF. EN](#)
[FL DRIVES DE](#)
[CAT 2 PORTFOLIOGUIDE EN](#)
[FL HEATING ELECTR EN](#)
[FL APPL INVERTER EN](#)
[FL_BASE_STATION_EN](#)
[FL ELEVATOR EN](#)
[FL POWER SUPPLY EN](#)
[FL 72H SAMPLE SER EN](#)
[PO OMNIMATE EN](#)



The reproduction, distribution and utilization of this document as well as the communication of its contents to others without explicit authorization is prohibited. Offenders will be held liable for the payment of damages. Weidmüller exclusively reserves the right to file for patents, utility models or designs.

© Weidmüller Interface GmbH & Co. KG

1545710000	black	BLZ-KO SW	socket block / pin header black
1573010000	orange	BLZ-KO OR	socket block / pin header orange
order number	colour	title	usage

General tolerance: DIN ISO 2768-mK		92434/0 10.04.17 HERTEL_S 16		Cat.no.: .	
		Modification			
		Drawn	21.05.2015		
Scale: 10:1		Responsible	HERTEL_S	KO BLZ../SL .. KODIERELEMENT ACCESSORY	
Supersedes: .		Checked	18.04.2017		
		Approved	LANG_T	Product file: BLZ 5.08	
				Sheet 01 of 01 sheets	Issue no. 02
				7147	