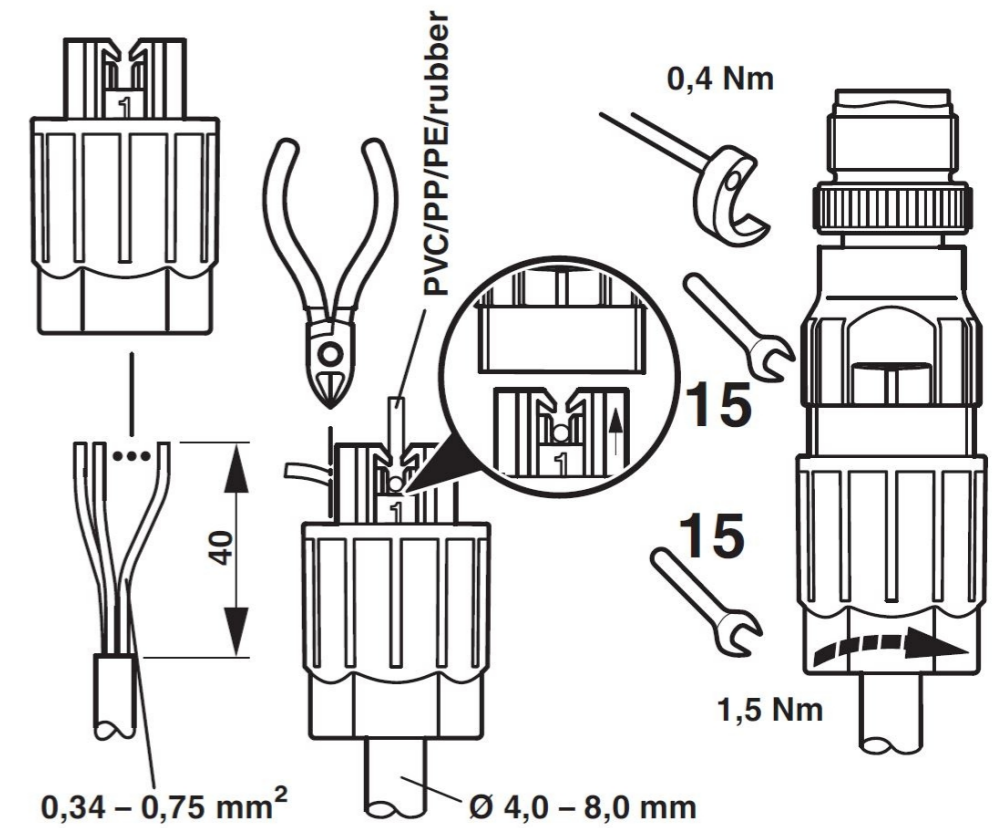


SCALE 2:1

ENG.-No.: 8A4006-52



NOTES:

Ambient temperature (operation):  
-25 °C ... 80 °C (Plug / socket)

Degree of protection: IP65

Degree of protection: IP67

General:

Rated current at 40°C: 4 A

Rated voltage: 250 V

Number of poles: 4

Connection method:

Insulation displacement connection

Conductor cross section: 0.34 mm<sup>2</sup> ... 0.75 mm<sup>2</sup>

Wire diameter including insulation: 1.3 mm ... 2.6 mm

Cable outlet: 4 mm ... 8 mm ±0.2 mm

Structure of individual litz in acc. with VDE 0295

/ smallest wire diameter: Class 2-6

Contact material: CuSn

Contact surface material: Ni/Au

THIS DRAWING CONTAINS INFORMATION THAT IS PROPRIETARY TO MOLEX INCORPORATED AND SHOULD NOT BE USED WITHOUT WRITTEN PERMISSION											
<b>QUALITY SYMBOLS</b> ▽ = 0 ▽ = 0 ▽ = 0 ▼ = 0 ▽ = 0 ⊠ = 0 ■ = 0 ▽ = 0	<b>EC DESCRIPTION</b> EC NO.: 108741 DRWN: THAERT CHK'D: REV APPR: RSILLER	2016/09/23 2016/09/23	GENERAL TOLERANCES (UNLESS SPECIFIED)		DIMENSION UNITS	SCALE	<div style="text-align: center;"><b>molex</b></div> FA M12 4P AC MA STR IDC UNSH PRODUCT CUSTOMER DRAWING SERIES: 120071 MATERIAL NUMBER: 1200710088 CUSTOMER: GENERAL MARKET DOCUMENT NUMBER: 1200710088 DOC TYPE: PSD DOC PART: 000 SHEET NUMBER: 1 OF 1				
			ANGULAR TOL ± 1.0 °		MM	4:1					
			4 PLACES ±	3 PLACES ±	DRWN BY: MSCHWARZ	DATE: 2015/09/01					
			2 PLACES ± 0.05	1 PLACE ± 0.3	CHK'D BY:	DATE:					
				0 PLACES ± 0.5	APPR BY:	DATE:	DRAWING SIZE: A3		THIRD ANGLE PROJECTION		
DRAFT WHERE APPLICABLE MUST REMAIN WITHIN DIMENSIONS											