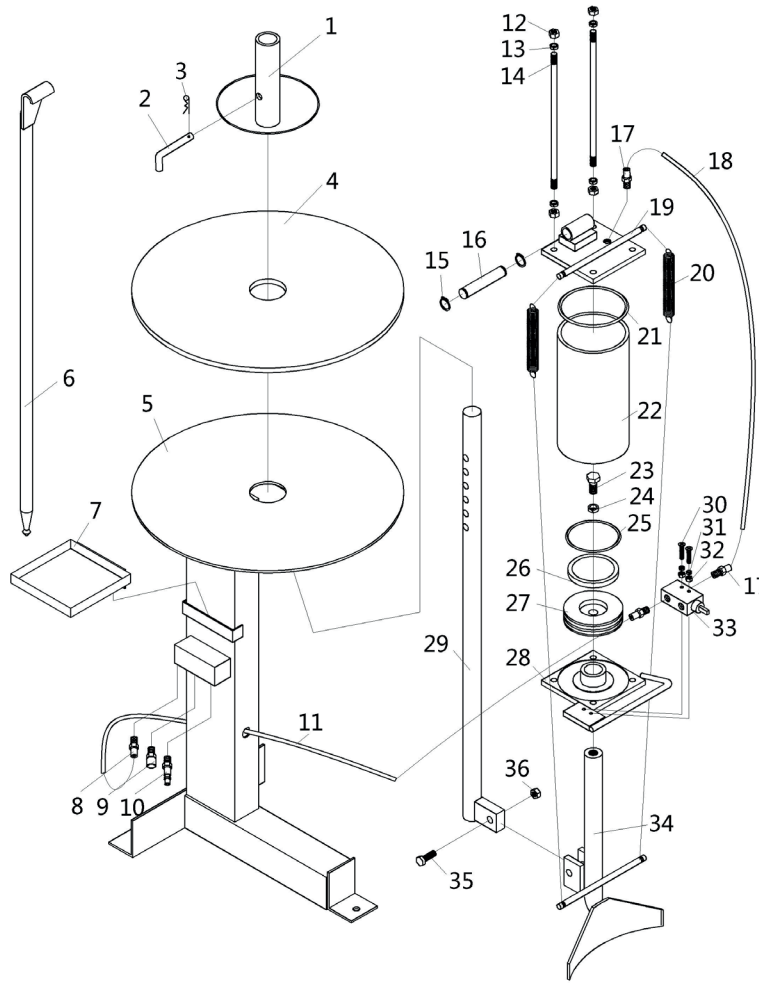


Parts Information:
**Tyre Changer Pneumatic/Manual
 Operation**
Model No: TC962.V2



Item	Part No.	Description
1	TC962.V2-01	WHEEL RETAINER
2	TC962.V2-02	PIN
3	TC962.V2-03	R-CLIP
4	TC962.V2-04	RUBBER MAT
5	TC962.V2-05	MAIN BODY
6	TC962.V2-06	TYRE BAR
7	TC962.V2-07	SIDE SHELF
8	TC962.V2-08	CONNECTOR
9	TC962.V2-09	CONNECTOR
10	TC962.V2-10	CONNECTOR
11	TC962.V2-11	AIR HOSE LOWER
12	TC962.V2-12	NUT
13	TC962.V2-13	WASHER
14	TC962.V2-14	RETAINING BAR
15	TC962.V2-15	CIRCLIP
16	TC962.V2-16	PIN
17	TC962.V2-17	CONNECTOR
18	TC962.V2-18	AIR HOSE UPPER

Item	Part No.	Description
19	TC962.V2-19	TOP PLATE, AIR PUMP
20	TC962.V2-20	SPRING
21	TC962.V2-21	O-RING
22	TC962.V2-22	MAIN BODY,AIR PUMP
23	TC962.V2-23	BOLT
24	TC962.V2-24	WASHER
25	TC962.V2-25	O-RING
26	TC962.V2-26	SEAL RING
27	TC962.V2-27	PISTON
28	TC962.V2-28	BLOWER PLATE,AIR PUMP
29	TC962.V2-29	CENTRE POST
30	TC962.V2-30	BOLT
31	TC962.V2-31	SPRING WASHER
32	TC962.V2-32	FLAT WASHER
33	TC962.V2-33	AIR VALVE
34	TC962.V2-34	BEAD BREAKER
35	TC962.V2-35	BOLT
36	TC962.V2-36	NUT

NOTE: It is our policy to continually improve products and as such we reserve the right to alter data, specifications and component parts without prior notice.

IMPORTANT: No liability is accepted for incorrect use of product.

WARRANTY: Guarantee is 12 months from purchase date, proof of which will be required for any claim.