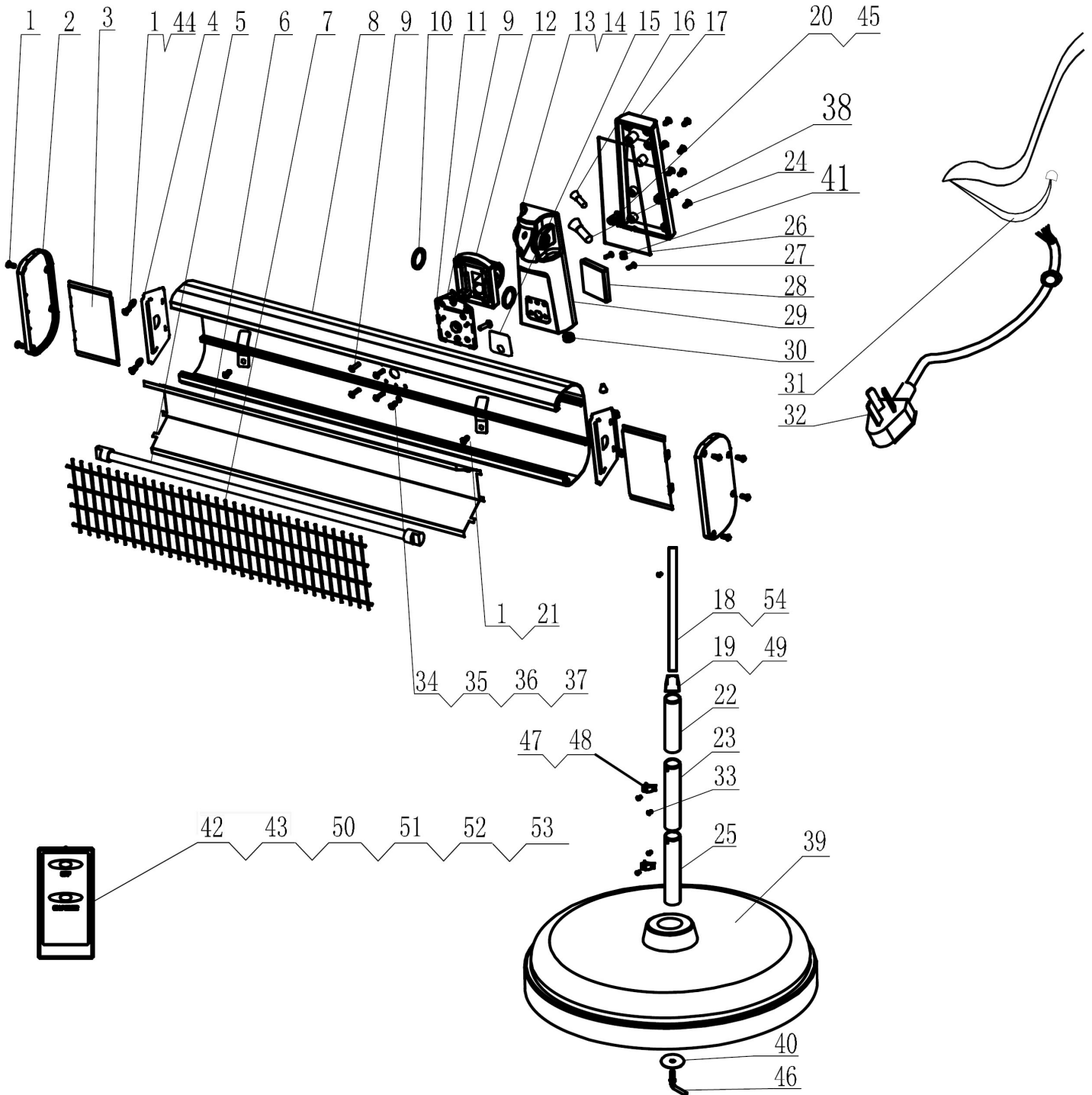




Parts Information:  
**High Efficiency Carbon Fibre Infrared Patio  
Heater 1800W/230V with Telescopic Floor  
Stand**  
**Model No: IFSH1809R**



**NOTE:** It is our policy to continually improve products and as such we reserve the right to alter data, specifications and component parts without prior notice.

**IMPORTANT:** No liability is accepted for incorrect use of product.

**WARRANTY:** Guarantee is 12 months from purchase date, proof of which will be required for any claim.

**Sealey Group**, Kempson Way, Suffolk Business Park, Bury St Edmunds, Suffolk. IP32 7AR



01284 757500



01284 703534



sales@sealey.co.uk



www.sealey.co.uk



Parts Information:  
**High Efficiency Carbon Fibre Infrared Patio Heater 1800W/230V with Telescopic Floor Stand**  
**Model No: IFSH1809R**

Item	Part No.	Description
1	IWMH1809R.01	RD HEAD S/T SCREW(SEcurity)M3X10
2	IWMH1809R.02	SIDE COVER
3	IWMH1809R.03	HEATER PANEL
4	IWMH1809R.04	REFLECTOR BRACKET
5	IWMH1809R.05	HEATING ELEMENT (CARBON FIBRE 230V/1800W)
6	IWMH1809R.06	REFLECTOR
7	IWMH1809R.07	GUARD
8	IWMH1809R.08	HEATER HOUSING
9	IWMH1809R.42	RD HEAD S/T SCREW M3.8 X 10
10	IWMH1809R.10	HINGE SEAL RING
11	IWMH1809R.11	HINGE COVER
12	IWMH1809R.12	HINGE
13	MSP840.S	MACHINE SCREW PAN HEAD PHILLIPS M8x40mm
14	IWMH1809R.14	HALF NUT M8
15	IFSH1809R.15	PVC STICKER
16	IWMH1809R.16	CONNECTOR CAP
17	IWMH1809R.17	CONTROL BOX COVER
18	IFSH1809LR.54	UPPER TUBE ASS'Y(INCLUDES PART 51)
19	IFSH1809LR.52	INNER FASTENER
20	IWMH1809R.20	CORD CLAMP
21	IWMH1809R.21	INTERNAL WIRES CLIP
22	IFSH1809LR.54	UPPER TUBE ASS'Y(INCLUDES PART 51)
23	IFSH1809LR.55	MIDDLE TUBE
24	IWMH1809R.24	RD HEAD S/T SCREW M4X14(SEcurity)
25	IFSH1809LR.57	LOWER TUBE
26	IWMH1809R.26	SEAL RING
27	IWMH1809R.27	RD HEAD S/T SCREW M3X8

Item	Part No.	Description
28	IWMH1809R.28	RC RECEIVER PCB
29	IWMH1809R.29	CONTROL BOX
30	IWMH1809R.30	CORD BUSH
31	IWMH1809R.31	INTERNAL WIRES ASSEMBLY
32	MC3CX1.0R	MAINS CABLE BLK, 3 CORE, (RUBBER) 1.0MM2
33	IFSH1809LR.56	SCREW (M6*8)
34	TS10SEW.121	M4 EXT TOOTH WASHER ZINC
35	IWMH1809R.35	SCREW M4*10
36	SWM4.S	SPRING WASHER M4 (SINGLE)
37	SN4.S	STEEL NUT M4 ZINC DIN934 (SINGLE)
38	IWMH1809R.43	CONNECTOR CAP
39	IFSH1809LR.58	BASE
40	IFSH1809LR.63	WASHER
41	IWMH1809R.44	PLASTIC PLUG
42	IFSH1809R.38	RC PVC STICKER
43	IWMH1809R.49	RD HEAD S/T SCREW M3X6
44	IWMH1809R.41	M3 EXT TOOTH WASHER BLACK
45	IWMH1809R.42	RD HEAD S/T SCREW M3.8 X 10
46	IFSH1809LR.64	L SCREW
47	IFSH1809LR.65	CORD CLIP
48	IFSH1809LR.66	SCREW (M4*8)
49	IFSH1809LR.53	OUTER FASTENER
50	IWMH1809R.45	RC UPPER HOUSING
51	IWMH1809R.46	RC LOWER HOUSING
52	IWMH1809R.47	BATTERY COVER
53	IWMH1809R.48	RC PCB
54	MSP615.S	MACHINE SCREW PAN HEAD PHILLIPS M6x15mm

**NOTE:** It is our policy to continually improve products and as such we reserve the right to alter data, specifications and component parts without prior notice.

**IMPORTANT:** No liability is accepted for incorrect use of product.

**WARRANTY:** Guarantee is 12 months from purchase date, proof of which will be required for any claim.

Sealey Group, Kempson Way, Suffolk Business Park, Bury St Edmunds, Suffolk. IP32 7AR



01284 757500



01284 703534



sales@sealey.co.uk



www.sealey.co.uk