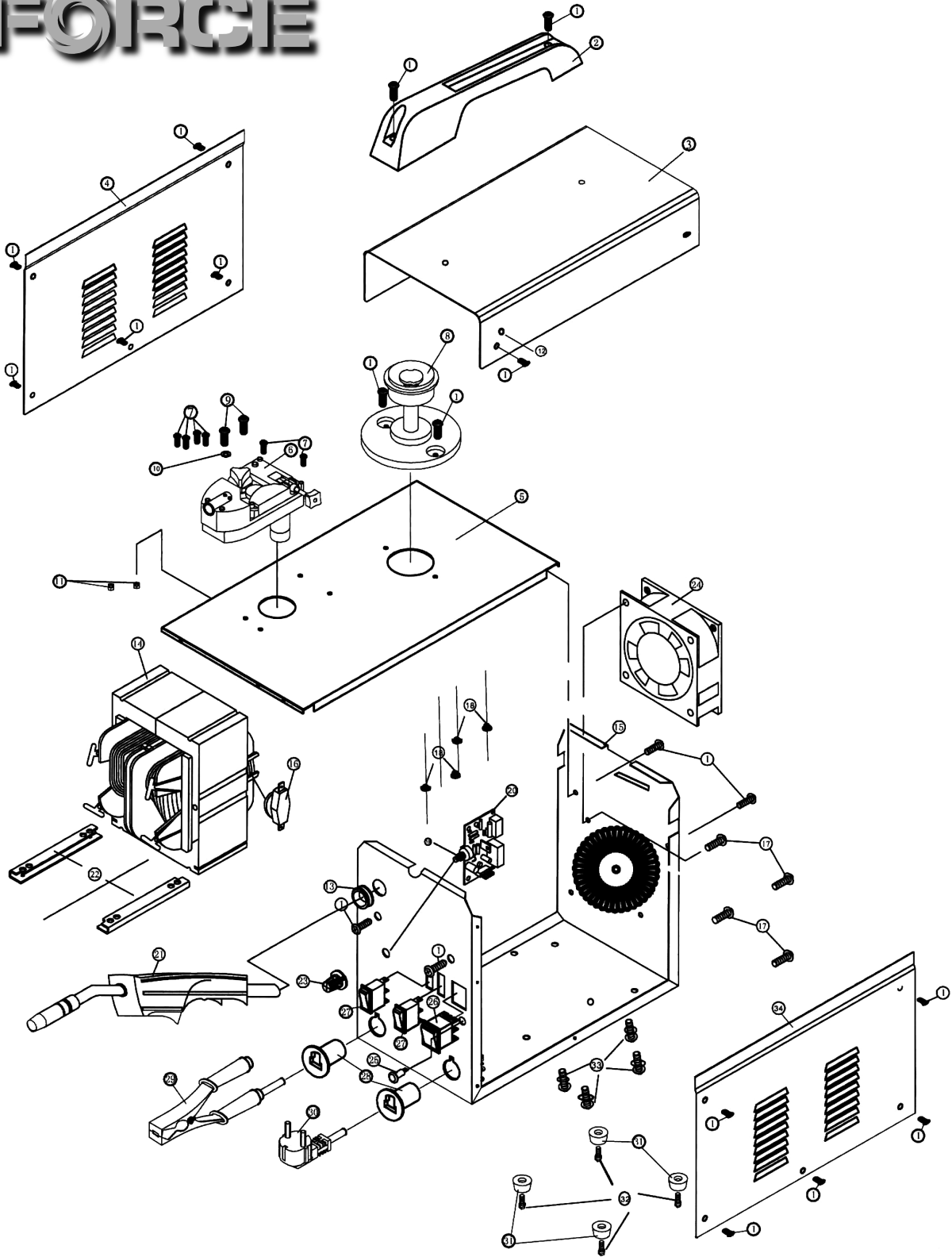


DRAPER[®]

GASLESS
**100A MIG
WELDER**

63669 – MIG100 SPARE PARTS DRAWING

**STORM
FORCE**



DRAPER[®]

GASLESS 100A MIG WELDER


63669 – MIG100 SPARE PARTS LISTING

STORM FORCE

KEY No.	PART No.	STOCK No.	DESCRIPTION	KEY No.	PART No.	STOCK No.	DESCRIPTION
1	Y-MIG100-01	61525	Screw	33	Y-MIG100-33	63861	(NP) - Screw and spacer
2	Y-MIG100-02	61583	Handle	34	Y-MIG100-34	63914	(NP) - Right panel
3	Y-MIG100-03	61669	(NP) - Top panel				
4	Y-MIG100-04	61670	(NP) - Left panel				
5	Y-MIG100-05	61671	(NP) - Middle panel				
6	Y-MIG100-06	61672	Wire feeder				
7	Y-MIG100-07	61674	(NP) - Screw				
8	Y-MIG100-08	61675	(NP) - Wire spool holder				
9	Y-MIG100-09	61676	(NP) - Screw				
10	Y-MIG100-10	61677	(NP) - Spacer				
11	Y-MIG100-11	61679	(NP) - Nut				
12	Y-MIG100-12	61757	(NP) - Rivet				
13	Y-MIG100-13	61762	(NP) - Guard ring of torch				
14	Y-MIG100-14	61766	(NP) - Transformer				
15	Y-MIG100-15	61767	(NP) - Bottom panel				
16	Y-MIG100-16	61793	(NP) - Thermal protection				
17	Y-MIG100-17	61804	(NP) - Screw				
18	Y-MIG100-18	61816	(NP) - Nut				
19	Y-MIG100-19	61819	(NP) - Potentionmeter				
20	Y-MIG100-20	63772	PC board				
21	Y-MIG100-21	63791	Welding torch				
22	Y-MIG100-22	63792	(NP) - Kickstand				
23	Y-MIG100-23	63795	(NP) - Knob				
24	Y-MIG100-24	63808	(NP) - Fan				
25	Y-MIG100-25	63819	(NP) - Overheating indicator light				
26	Y-MIG100-26	63820	(NP) - Power switch				
27	Y-MIG100-27	63821	(NP) - Adjustment switch				
28	Y-MIG100-28	63822	(NP) - Water joint				
29	Y-MIG100-29	63823	Earth clamp				
30	Y-MIG100-30	63824	(NP) - 3-pin plug				
31	Y-MIG100-31	63825	(NP) - Screw				
32	Y-MIG100-32	63831	(NP) - Plastic foot				