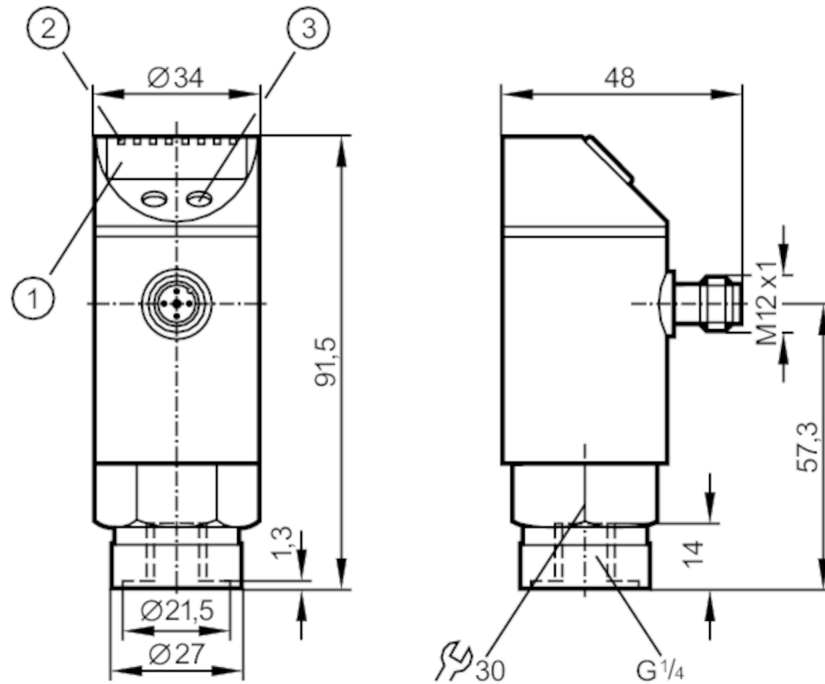


# PY9291



## Pressure sensor with display

PN-250-SBR14-QFRKG/US/ IV



- 1 alphanumeric display 4-digit
- 2 LEDs Display unit / switching status
- 3 programming button



### Product characteristics

Output signal	switching signal		
Measuring range	0...250 bar	0...3625 psi	0...25 MPa
Process connection	threaded connection G 1/4 internal thread		

### Application

Special feature	Gold-plated contacts		
Media	liquids and gases		
Conditionally suitable for	For gaseous media the application is limited to max. 25 bar.		
Medium temperature [°C]	-25...80		
Pressure rating	400 bar	5800 psi	40 MPa
Min. bursting pressure	850 bar	12300 psi	85 MPa
Type of pressure	relative pressure		

### Electrical data

Operating voltage [V]	18...36 DC; (according to EN 50178 SELV/PELV)		
Current consumption [mA]	< 50		
Min. insulation resistance [MΩ]	100; (500 V DC)		
Protection class	III		
Reverse polarity protection	yes		
Overvoltage protection	yes; (< 40 V)		
Power-on delay time [s]	0.3		
Integrated watchdog	yes		

# PY9291



## Pressure sensor with display

PN-250-SBR14-QFRKG/US/ IV

Inputs / outputs			
Number of inputs and outputs	Number of digital outputs: 2		
Outputs			
Total number of outputs	2		
Output signal	switching signal		
Electrical design	PNP/NPN		
Number of digital outputs	2		
Output function	normally open / normally closed; (parameterisable)		
Max. voltage drop switching output DC [V]	2		
Permanent current rating of switching output DC [mA]	250		
Switching frequency DC [Hz]	< 170		
Short-circuit protection	yes		
Type of short-circuit protection	pulsed		
Measuring/setting range			
Measuring range	0...250 bar	0...3625 psi	0...25 MPa
Set point SP	2...250 bar	40...3620 psi	0.2...25 MPa
Reset point rP	1...249 bar	20...3600 psi	0.1...24.9 MPa
In steps of	1 bar	20 psi	0.1 MPa
Accuracy / deviations			
Switch point accuracy [% of the span]	< ± 0,5		
Repeatability [% of the span]	< ± 0,1; (with temperature fluctuations < 10 K)		
Characteristics deviation [% of the span]	< ± 0,5; (linearity, incl. hysteresis and repeatability limit value setting to DIN 16086)		
Hysteresis deviation [% of the span]	< ± 0,25		
Long-term stability [% of the span]	< ± 0,05; (per 6 months)		
Temperature coefficient zero point [% of the span / 10 K]	0,2; (0...80 °C)		
Temperature coefficient span [% of the span / 10 K]	0,2; (0...80 °C)		
Response times			
Delay time programmable dS, dr [s]	0; 0,2...50		
Software / programming			
Parameter setting options	hysteresis / window; normally open / normally closed; diagnostic function; switching logic; switch-on/switch-off delay; Damping; Display unit		
Operating conditions			
Ambient temperature [°C]	-20...80		
Storage temperature [°C]	-40...100		
Protection	IP 67		

# PY9291



## Pressure sensor with display

PN-250-SBR14-QFRKG/US/ IV

Tests / approvals		
EMC	EN 61000-4-2 ESD	4 kV CD / 8 kV AD
	EN 61000-4-3 HF radiated	10 V/m
	EN 61000-4-4 Burst	2 kV
	EN 61000-4-5 Surge	0,5/1 kV
	EN 61000-4-6 HF conducted	10 V
	Shock resistance	DIN IEC 68-2-27
Vibration resistance	DIN IEC 68-2-6	20 g (10...2000 Hz)
MTTF [years]	219	
Pressure Equipment Directive	Sound engineering practice; can be used for group 2 fluids; group 1 fluids on request	

Mechanical data		
Weight [g]	261	
Materials	stainless steel (1.4301 / 304); stainless steel (1.4404 / 316L); PC; PBT; PEI; FKM	
Materials (wetted parts)	stainless steel (1.4305 / 303); ceramics; FKM	
Min. pressure cycles	100 million	
Process connection	threaded connection G 1/4 internal thread	
Restrictor element integrated	no (can be retrofitted)	

Displays / operating elements		
Display	Display unit	3 x LED, green
	switching status	2 x LED, yellow
	function display	alphanumeric display, 4-digit
	measured values	alphanumeric display, 4-digit

Remarks		
Pack quantity	1 pcs.	

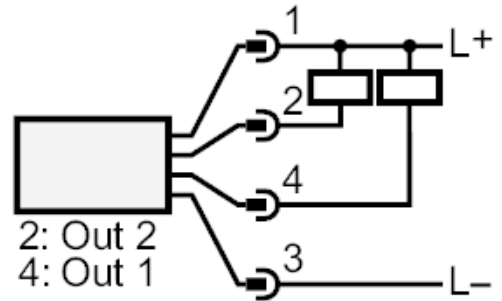
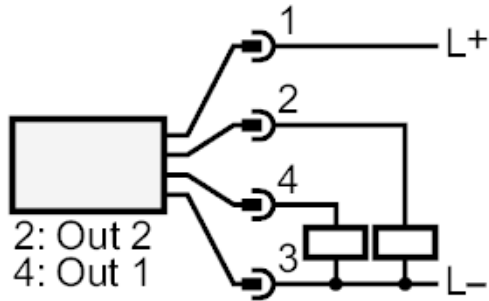
Electrical connection		
Connector: 1 x M12; Contacts: gold-plated		
		

# PY9291



## Pressure sensor with display

PN-250-SBR14-QFRKG/US/ IV



OUT1	switching output
OUT2	switching output
	Diagnostic output