

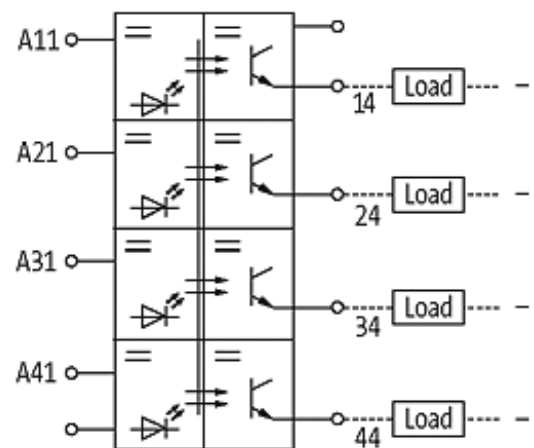
AMS 4-10/44-2 OPTO-COUPLER MODULE

In: 24 VDC - Out: 24 VDC / 2A

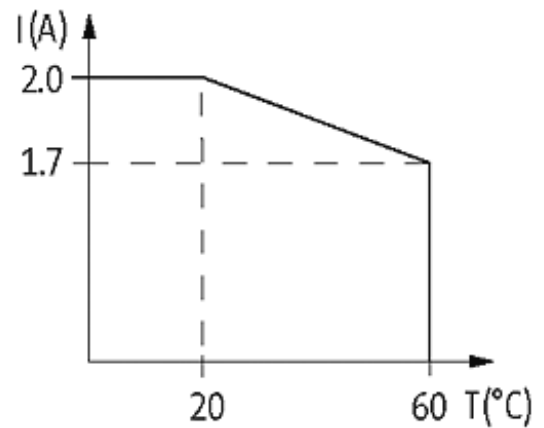
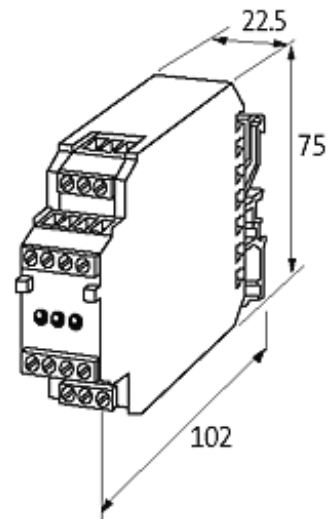
Transistor 2 A (4-way)
4 NO contacts
24 V DC

[Link to Product](#)

Illustration



stay connected



Product may differ from Image

Approvals



Input

Voltage range ON	20...30 V DC
Voltage range OFF	0...6 V DC
Input current	27 mA
LED display	LED (yellow)

General data

Test isolation voltage	2.5 kV
Mounting method	DIN-rail mountable TH35 or G32 (EN 60715)
Housing	Black plastic, flame retardant
Temperature range	-25...+50 °C
Dimensions H × W × D	75×22.5×102 mm

Output

The information in this brochure has been compiled with the utmost care.

Liability for the correctness completeness and topicality of the information is restricted to gross negligence. Version: 05/15

Switching voltage	5...30 V DC
Switching current per output	1 mA...2 A
Saturation voltage (across output)	max. 0.05 V DC
Leakage current (output is open)	max. 0.01 mA
Switching time ON/OFF	1/5 ms
Switching frequency	max. 10/1 Hz (resist./ind.)

Commercial data

country of origin	CZ
customs tariff number	85414090
minimum order quantity	1