



Model Number

GLV30-LL-1227/40a/53/92

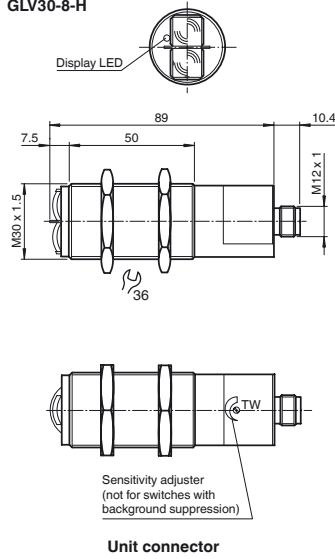
Diffuse mode sensor
connector M12 x 1, 4-pin

Features

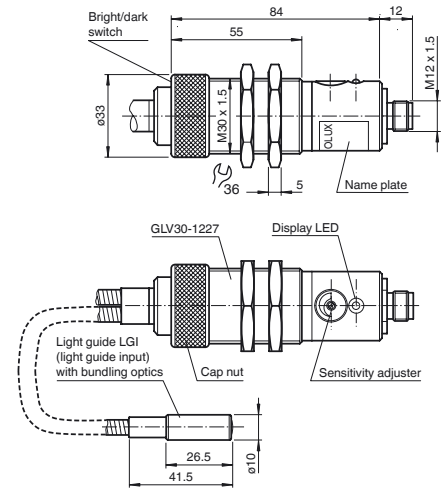
- M30 nickel plated brass threaded housing
- Light/dark switching
- For glass fibre light guide
- Extensive fiber optic product selection as accessories

Dimensions

GLV30-8-2500
GLV30-8-H

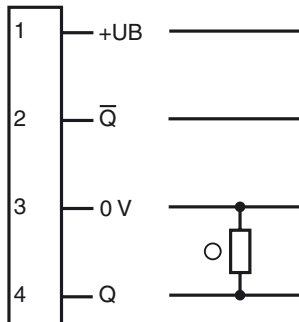


GLV30-LL...



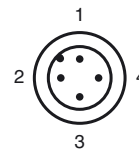
Electrical connection

Option: /53



- = Light on
- = Dark on

Pinout



Release date: 2012-04-10 14:36 Date of issue: 2012-04-10 4-19648_eng.xml

Technical data**General specifications**

Detection range	without fiberoptic cable : 0 ... 1700 mm , with fiberoptic cable see selection table for fiberoptic cables
Adjustment range	250 ... 1700 mm (on use without fiberoptics)
Reference target	standard white 200 mm x 200 mm (only for retroreflective fiberoptic cables)
Light source	IRED
Light type	modulated infrared light
Approvals	CE
Diameter of the light spot	approx. 400 mm at 1700 mm sensor range
Angle of divergence	approx. 15 °
Ambient light limit	50000 Lux

Indicators/operating means

Function display	LED yellow, lights up with receiver lit
Controls	Sensitivity adjuster, light/dark switch

Electrical specifications

Operating voltage	U_B	10 ... 30 V DC
Ripple		10 %
No-load supply current	I_0	40 mA

Output

Switching type	light/dark on	
Signal output	1 PNP, not short-circuit protected	
Switching voltage	max. 30 V DC	
Switching current	max. 500 mA	
Response time	2 ms	
De-energized delay	t_{off}	7 ms

Standard conformity

Standards	EN 60947-5-2
-----------	--------------

Ambient conditions

Ambient temperature	-20 ... 60 °C (-4 ... 140 °F)
Storage temperature	-20 ... 75 °C (-4 ... 167 °F)

Mechanical specifications

Protection degree	IP65
Connection	4-pin, M12 metal connector
Material	
Housing	brass, nickel-plated
Optical face	glass
Mass	370 g

Approvals and certificates

CCC approval

Products with a maximum operating voltage of ≤ 36 V do not bear a CCC marking because they do not require approval.**Accessories****V1-G-2M-PUR**

Cable socket, M12, 4-pin, PUR cable

V1-W-2M-PUR

Cable socket, M12, 4-pin, PUR cable

BF 30

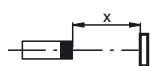
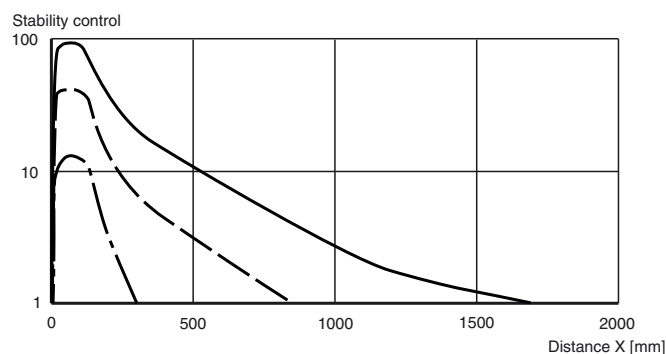
Mounting flange, 30 mm

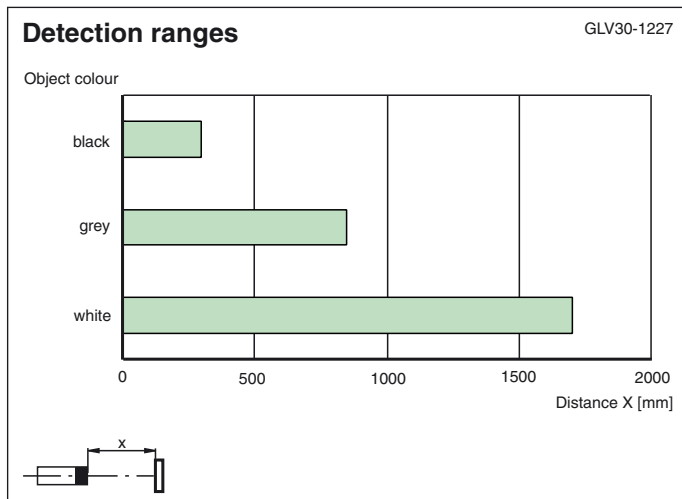
BF 30-F

Mounting flange with dead stop, 30 mm

Other suitable accessories can be found at www.pepperl-fuchs.com**Relative received light strength**

GLV30-1227





Selection table for fibre

	Model number	Max. sensing range / detection range in mm	Figure
glass fibre optics, single path with metal-silicone coating	LLE 18/30-2,3-0,5-Z1	420	1
	LLE 18/30-2,3-1,0-Z 1	300	1
	LLE 18/30-2,3-2,0-Z 1	200	1
	LLE 18/30-2,3-1,0-WR	300	2
	LLE 18/30-2,3-0,5-WC3	400	3
	LLE 18/30-2,3-1,0-WC14	300	4
	LLE 18/30-2,3-1,0-WC32	250	5
	LLE 18/30-2,3-1,0-WC5	300	6
	LLE 18/30-2,3-1,0-WC10	300	7
	LLE 18/30-2,3-1,0-WC0	230	8
	LLE 18/30-2,3-1,0-WC20	250	9
	LLE 18/30-2,3-1,0-WC3	300	3
	LLE 18/30-1,6-0,5-Z1	200	1
	LLE 18/30-1,1-2,0-G	100	10
LLE 18/30-2,3-1,5-G	250	10	
glass fibre optics, reflex with metal-silicone coating	LLE 18/30-1,9-0,5-Z1	130	15
	LLE 18/30-1,9-1,0-Z1	120	15
	LLR 18/30-1,9-0,5-WC0	70	16
	LLR 18/30-1,9-1,0-WC2	90	17
	LLR 18/30-1,9-0,5-WC5	90	18
	LLR 18/30-1,9-1,0-WR	90	19
	LLR 18/30-1,9-1,5-G	100	20
	LLR 18/30-1,6-1,0-QW 1x4	70	21
glass fibre optics reflex with metal coating	LMR 18/30-1,9-1,0-Z1	120	15
	LMR 18/30-1,9-3,0-Z1	85	15
	LMR 18/30-1,9-1,5-Z1	100	15

Other lengths and end pieces available on request

Release date: 2012-04-10 14:36 Date of issue: 2012-04-10 4:19648_eng.xml

Subject to modifications without notice

Pepperl+Fuchs Group
www.pepperl-fuchs.com

USA: +1 330 486 0001
fa-info@us.pepperl-fuchs.com

Germany: +49 621 776-4411
fa-info@pepperl-fuchs.com

Copyright Pepperl+Fuchs

Singapore: +65 6779 9091
fa-info@sg.pepperl-fuchs.com

Fig. 1

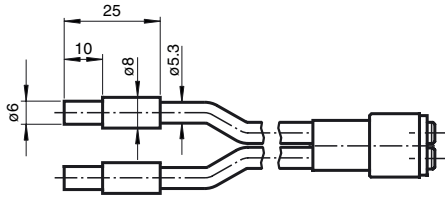


Fig. 5

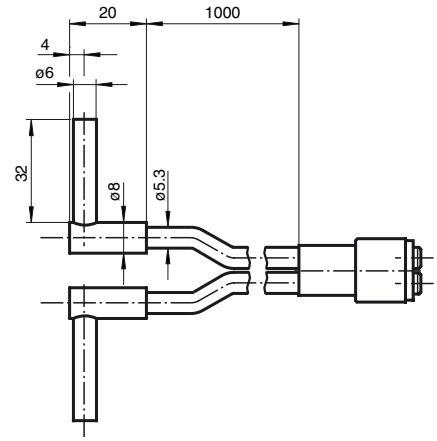


Fig. 2

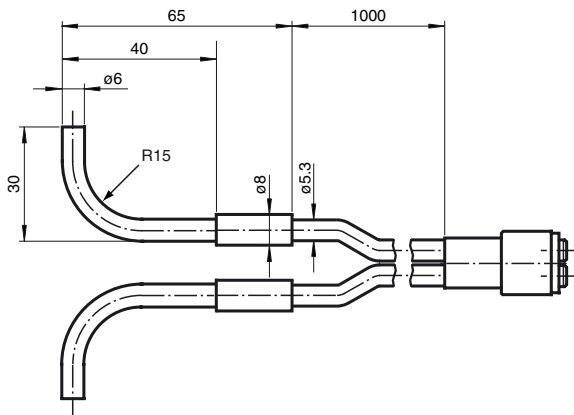


Fig. 6

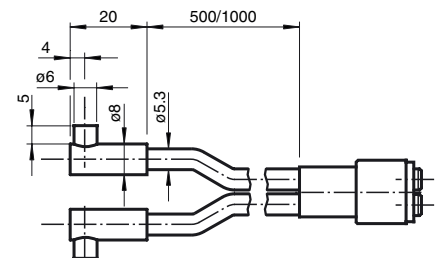


Fig. 3

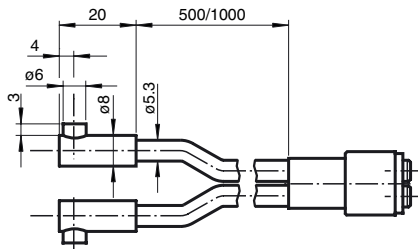


Fig. 7

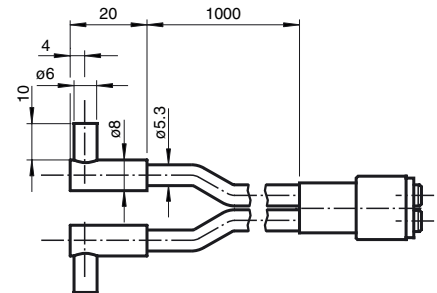


Fig. 4

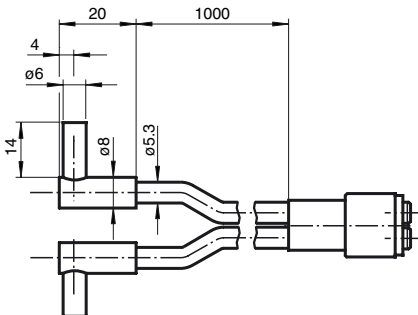
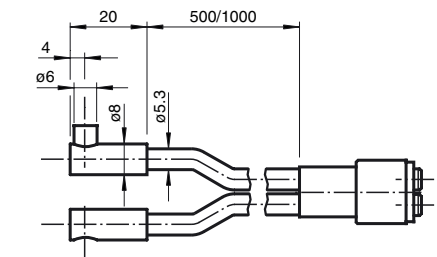


Fig. 8



Release date: 2012-04-10 14:36 Date of issue: 2012-04-10 419648_eng.xml

Fig. 9

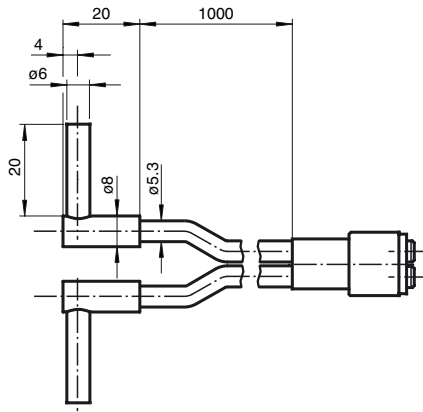


Fig. 13

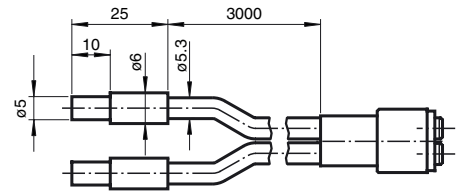


Fig. 10

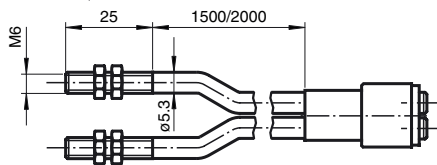


Fig. 14

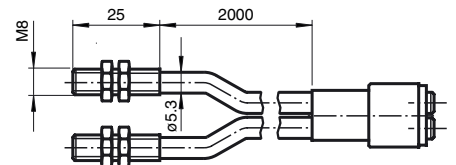


Fig. 11

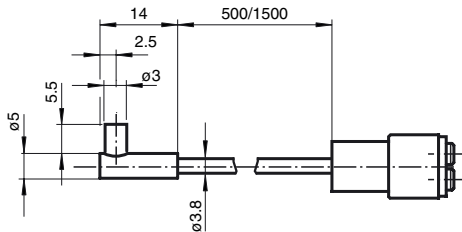


Fig. 15

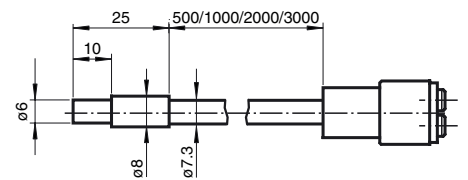


Fig. 12

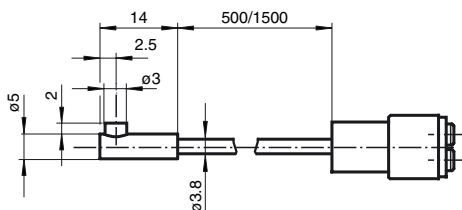
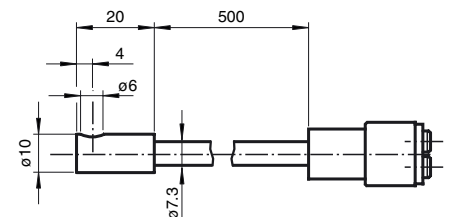


Fig. 16



Release date: 2012-04-10 14:36 Date of issue: 2012-04-10 419648_eng.xml

Fig. 17

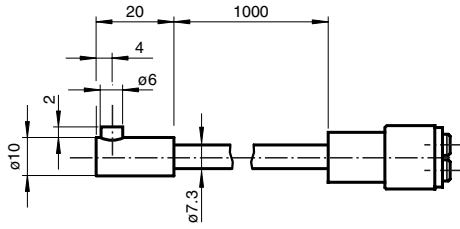


Fig. 20

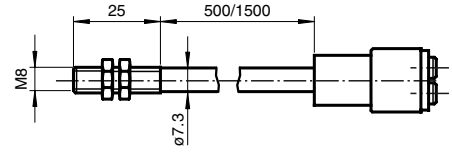


Fig. 18

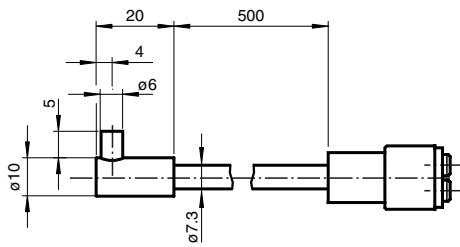


Fig. 21

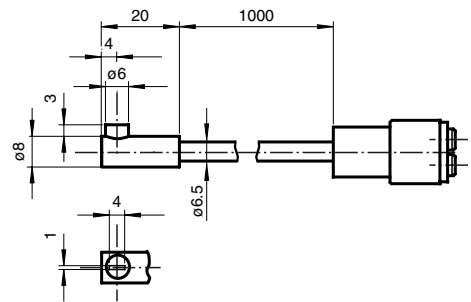
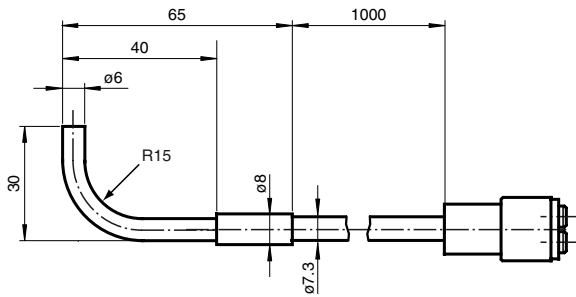


Fig. 19



Release date: 2012-04-10 14:36 Date of issue: 2012-04-10 419648_eng.xml