

QUICK-THERMOSTAT NO +35 C /+95 F



Model		
product brand name		SIVACON
Design of the switching function		NO contact
General technical data		
Switch-off temperature	°C	25
Operating temperature / minimum	°C	-40
Mechanical service life (switching cycles) / typical		100 000
Voltage		
Inrush current / typical	A	10
Main circuit		
Operating voltage / Rated value	V	240
Operating current / Rated value	A	10
Mechanical Design		
Height	mm	47
Width	mm	33
Depth	mm	33
mounting position		any
Material / of the enclosure		plastic
Environmental conditions		
Relative humidity / Reference value	%	90
Ambient temperature		
• during storage / minimum	°C	-45
• during storage / maximum	°C	80

Certificates

Equipment marking

- acc. to DIN EN 61346-2
- acc. to DIN EN 81346-2

K
K

General Product Approval



Further information

Information- and Downloadcenter (Catalogs, Brochures,...)

<http://www.siemens.com/lowvoltage/catalogs>

Industry Mall (Online ordering system)

<https://eb.automation.siemens.com/mall/en/WW/Catalog/Product/8MR21713BB>

Service&Support (Manuals, Certificates, Characteristics, FAQs,...)

<http://support.automation.siemens.com/WW/view/en/8MR21713BB/all>

Image database (product images, 2D dimension drawings, 3D models, device circuit diagrams, ...)

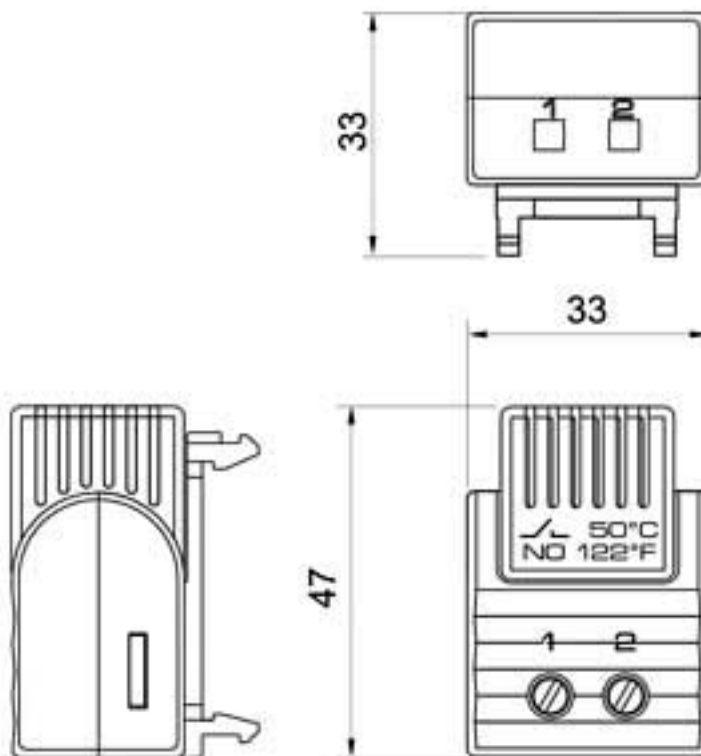
http://www.automation.siemens.com/bilddb/cax_en.aspx?mfb=8MR21713BB

CAX-Online-Generator

<http://www.siemens.com/cax>

Tender specifications

<http://ausschreibungstexte.siemens.com/tiplv>



last modified:

11.03.2015