

HD Camera for Yealink SIP-T58V/SIP-T58A

Being an easy add-on, Yealink IP Phone Camera CAM50 is a HD video camera with high quality that helps your Yealink SIP-T58V/SIP-T58A IP phones to turn into a real desktop video conferencing solution in seconds.

The Yealink IP Phone Camera CAM50, powered by 2M pixels and 720P resolution, grants you an interactive collaboration with top-notch video communications experience. No any extra software driver is require, just insert the CAM50 camera to the USB port on the top of the T58V/T58A, the simple plug-and-play installation leads you to use the CAM50 camera at once. Meanwhile, to fully protect personal privacy, a special privacy shutter is attached to let you switch the video on-off easily. For the better user experience, you can adjust the camera angle forward and backward directly, empowering your video call more vivid and immersive.

Designed as your ideal office assistant, the Yealink IP Phone Camera CAM50 allows you to perfectly participant in video communications, immediately and effectively from your desktop phone.



Key Features and Benefits

- > Compatible with Yealink SIP-T58V/SIP-T58A IP Phones
- > 2 mega-pixel HD Camera
- > 720p@30fps
- > Ease-of-use
- > Plug and Play
- > Adjustable with privacy shutter

Specifications

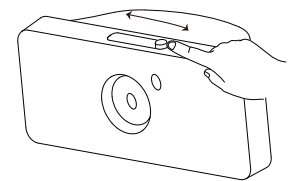
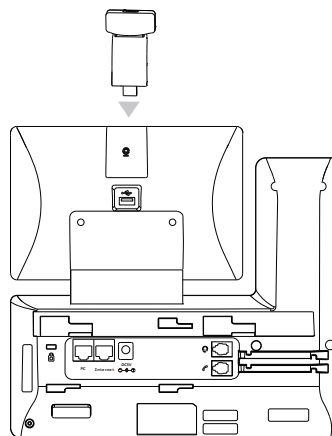
- > Video codec: H.264 High Profile, H.264, VP8
- > White Balance
- > Automatic Exposure
- > Horizontal Field of View: 63.2°
- > Vertical Field of View: 38°
- > Diagonal Field of View: 70°
- > LED indicator
- > Interface: USB 2.0
- > Power: 5V @ <500mA via USB port
- > Operating humidity: 10~95%
- > Operating temperature: 0~40°C

Compliance

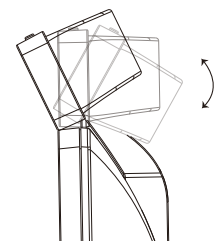


Learn More

To find out how Yealink solutions can help your organization, visit us at www.yealink.com or mail to sales@yealink.com



Adjust Shutter Switch



Adjust Camera Angle

Package Features

- > Qty/CTN: 20 PCS
- > N.W/CTN: 1.70 kg
- > G.W/CTN: 2.20 kg
- > Carton Meas: 250mm*218mm*292mm
- > Giftbox Size: 119mm*113mm*26mm