

TL50 Pro Tower Light with IO-Link



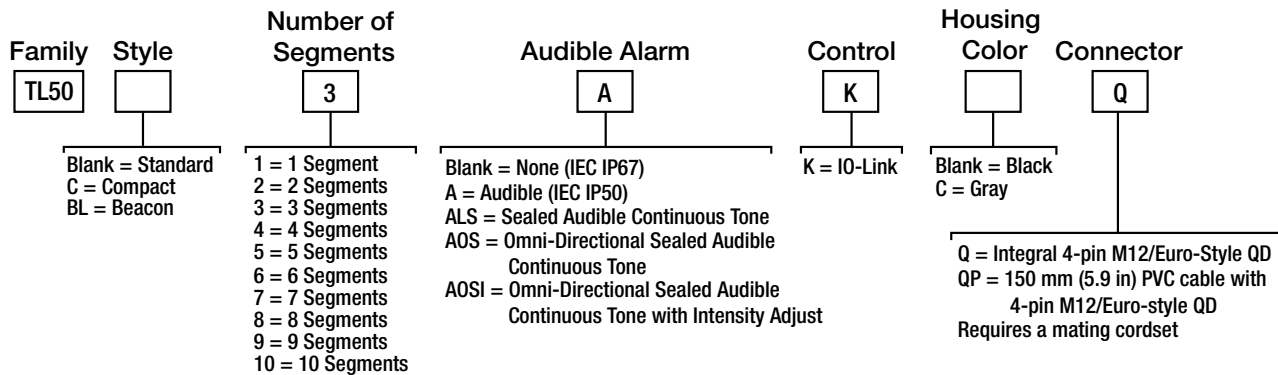
Datasheet

50 mm IO-Link Controlled Multicolor RGB Tower Light

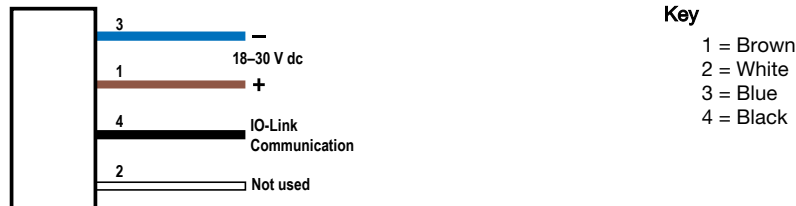


- Rugged, cost-effective, and easy-to-install multi-segment tower lights
- Illuminated segments provide easy-to-see operator guidance and indication of equipment status
- IO-Link gives full access to color, flashing, rotating, and dimming settings, as well as advanced animations like run and level modes which provides dynamic response to changing machine conditions
- Up to 10 segments available
- Available in black or light gray housing to match different machine styles
- Audible models available with standard, sealed, or omni-directional audible element
- Compact and beacon models are more intense in a smaller form factor compared to standard models

Models



Wiring Diagram



IO-Link Process Data Out (Master to Device)

IO-Link® is a point-to-point communication link between a master device and a sensor and/or light. It can be used to automatically parameterize sensors or lights and to transmit process data. For the latest IO-LINK protocol and specifications, please visit www.io-link.com.



For the latest IODD files, please refer to the Banner Engineering Corp website at: www.bannerengineering.com.

Basic Segment Mode

Use process data to set each segment to off, solid on, flash, or animation mode. Use parameter data to change color, intensity, flash speed, and select animation type.

| Animation | Description |
|------------------------|--|
| Off | Segment is off |
| Steady | Color 1 is solid on at defined intensity |
| Flash | Color 1 flashes at defined speed, color intensity, and pattern (normal, strobe, three pulse, SOS, or random) |
| Two Color Flash | Color 1 and Color 2 flash alternately at defined speed, color intensities, and pattern (normal, strobe, three pulse, SOS, or random) |
| 50/50 | Color 1 is displayed on 50% of the segment and Color 2 is displayed on the other 50% of the segment at the defined color intensities |
| 50/50 Rotate | Color 1 is displayed on 50% of the segment and Color 2 is displayed on the other 50% of the segment while rotating at the defined speed, color intensities, and rotational direction |
| Chase | Color 1 is displayed as a single spot against the background of Color 2 while rotating at the defined speed, color intensities, and rotational direction |
| Intensity Sweep | Color 1 repeatedly increases and decreases intensity between 0% to 100% at defined speed and color intensity |

Advanced Segment Mode

Use process data to activate each segment and control color, intensity, flash, and other animation types. Use parameter data to create custom colors, intensity, and flash speeds.

| Animation | Description |
|------------------------|--|
| Off | Segment is off |
| Steady | Color 1 is solid on at defined intensity |
| Flash | Color 1 flashes at defined speed, color intensity, and pattern (normal, strobe, three pulse, SOS, or random) |
| Two Color Flash | Color 1 and Color 2 flash alternately at defined speed, color intensities, and pattern (normal, strobe, three pulse, SOS, or random) |
| 50/50 | Color 1 is displayed on 50% of the segment and Color 2 is displayed on the other 50% of the segment at the defined color intensities |
| 50/50 Rotate | Color 1 is displayed on 50% of the segment and Color 2 is displayed on the other 50% of the segment while rotating at the defined speed, color intensities, and rotational direction |
| Chase | Color 1 is displayed as a single spot against the background of Color 2 while rotating at the defined speed, color intensities, and rotational direction |
| Intensity Sweep | Color 1 repeatedly increases and decreases intensity between 0% to 100% at defined speed and color intensity |

Run Mode

Use process data to control entire tower light and select color, intensity, flash and run mode animations. Use parameter data to create custom colors, intensity, and flash speeds.

| Animation | Description |
|------------------------|---|
| Off | Tower is off |
| Steady | Color 1 is solid on for every segment at defined intensity |
| Flash | Color 1 flashes on every segment at defined speed, color intensity, and pattern (normal, strobe, three pulse, SOS, or random) |
| Two Color Flash | Color 1 and Color 2 flash alternately on every segment at defined speed, color intensities, and pattern (normal, strobe, three pulse, SOS, or random) |
| 50/50 | Color 1 is displayed on 50% of every segment and Color 2 is displayed on the other 50% of every segment at the defined color intensities |
| 50/50 Rotate | Color 1 is displayed on 50% of every segment and Color 2 is displayed on the other 50% of every segment while rotating at the defined speed, color intensities, rotational direction, and segment shift |
| Chase | Color 1 is displayed as a single spot against the background of Color 2 while rotating at the defined speed, color intensities, rotational direction, and segment shift |
| Intensity Sweep | Color 1 repeatedly increases and decreases intensity between 0% to 100% on every segment at defined speed and color intensity |

| Animation | Description |
|-----------------------|--|
| Scroll | Color 1 fills a defined number of segments and those segments move in one direction up or down against the background of Color 2 at the defined speed, color intensities, and rotational direction |
| Bounce | Color 1 fills a defined number of segments and those segments move up and down between the top and bottom of the tower against the background of Color 2 at the defined speed, color intensities, and rotational direction |
| Color Spectrum | The tower scrolls through the 14 predefined colors with a different color on each segment at the defined speed, Color 1 intensity, and rotational direction |
| Demo | Cycles through color spectrum, 50/50 rotate, bounce, and level mode animations |

Level Mode

Use process data to set the level value. Use parameter data to set range, thresholds, colors, intensities, flash speeds, and animation types.

| Animation | Description |
|--|---|
| Level Mode Value | Value of the level of the tower (between 0 to 65,535) |
| Full Scale Value | Set the upper limit of the Level Mode Value (between 0 to 65535) |
| Threshold Type: None | Level Mode Values are displayed on tower as defined by Base color, intensity, and state (steady or flashing). |
| Threshold Type: Low | Level Mode Values below Low Threshold Value are displayed on segments defined by Low Threshold color, intensity, and state (steady or flashing). Level Mode Values above Low Threshold Value are displayed on segments defined by Base color, intensity, and state (steady or flashing). |
| Threshold Type: High | Level Mode Values below High Threshold Value are displayed on segments defined by Base color, intensity, and state (steady or flashing). Level Mode Values above High Threshold Value are displayed on segments defined by High Threshold color, intensity, and state (steady or flashing). |
| Threshold Type: High and Low | Level Mode Values below Low Threshold Value are displayed on segments defined by Low Threshold color, intensity, and state (steady or flashing). Level Mode Values between Low and High Threshold Values are displayed on segments defined by Base color, intensity, and state (steady or flashing). Level Mode Values above High Threshold Value are displayed on segments defined by High Threshold color, intensity, and state (steady or flashing). |
| Base, Low Threshold, High Threshold, and Background | Colors, Intensities, and States - Set the colors, intensities, and states (steady or flash) the tower will display if the Level Mode Value conforms to the defined threshold type |
| Dominance | If Non-Dominant is defined, segments display their defined threshold color; if Dominant is defined, all segments display the active threshold color |
| Segment Style | If Level Mode Value is a partial percentage of a segment, select if segment will be on steady, flashing, or analog dimmed to the partial percentage |

Specifications

Supply Voltage and Current

18 V dc to 30 V dc
 Maximum current per LED segment:
 100 mA at 18 V dc
 75 mA at 24 V dc
 60 mA at 30 V dc

Maximum current for Standard Audible Alarm: 25 mA
 Maximum current for Omni-Directional Sealed Audible: 45 mA
 Maximum current for Sealed Audible Alarm: 35 mA



Note: Different IO-Link masters have different maximum current limits. Use the current draw data per segment to calculate the maximum current draw of each configuration. For example, a 5 segment tower light with standard audible has a maximum current draw of 0.4 A at 24 V dc.

Supply Protection Circuitry

Protected against reverse polarity and transient voltages

Input Response Time

Indicator On/Off: 20 ms (maximum)

Audible Adjustment

Standard Audible Alarm: Unscrew the cover (up to 1.5 turns maximum) to adjust the audible intensity. (Do not exceed 1.5 turns or the cover may detach during operation.) For maximum intensity, rotate the center plug 180° counterclockwise to remove it.

Sealed Audible Alarm and Omni-Directional Sealed Audible Alarm with Intensity Adjustment: Rotate the front cover until the desired intensity is reached.

Omni-Directional Sealed Audible Alarm: No adjustment.

Audible Alarm

Standard Audible Alarm: 2.7 kHz ± 500 Hz oscillation frequency; maximum intensity 92 dB at 1 m (3.3 ft) (typical)

Sealed Audible Alarm: 2.9 kHz ± 250 Hz oscillation frequency; maximum intensity 94 dB at 1 m (3.3 ft) (typical)

Omni-Directional Sealed Audible Alarm: 2.1 kHz ± 250 Hz oscillation frequency; maximum intensity 99 dB at 1 m (3.3 ft) (typical)

Omni-Directional Sealed Audible Alarm with Intensity Adjustment: 2.1 kHz ± 250 Hz oscillation frequency; maximum intensity 95 dB at 1 m (3.3 ft) (typical)

Indicator Characteristics

| Color | Dominant Wavelength (nm) or Color Temperature (CCT) | Color Coordinates ¹ | | Lumen Output Per Segment (Typical at 25 °C) | | |
|--------------|---|--------------------------------|-------|---|---------|--------|
| | | X | Y | Standard | Compact | Beacon |
| Red | 625 | 0.688 | 0.301 | 7.2 | 6.3 | 9.8 |
| Green | 535 | 0.220 | 0.694 | 17.5 | 14.1 | 21.8 |
| Yellow | 575 | 0.460 | 0.496 | 23.8 | 18.9 | 29.2 |
| Blue | 465 | 0.145 | 0.052 | 3.4 | 2.5 | 4.1 |
| Magenta | – | 0.372 | 0.171 | 10.4 | 8.3 | 12.6 |
| Cyan | 492 | 0.176 | 0.339 | 19.2 | 14.9 | 22.9 |
| White | 6150 K | 0.319 | 0.337 | 24.8 | 19.5 | 29.9 |
| Amber | 588 | 0.543 | 0.424 | 15.3 | 12.3 | 19.2 |
| Rose | – | 0.507 | 0.220 | 8.2 | 6.7 | 10.1 |
| Lime Green | 561 | 0.372 | 0.562 | 21.2 | 16.8 | 25.9 |
| Orange | 599 | 0.606 | 0.375 | 11.3 | 9.3 | 14.5 |
| Sky Blue | 485 | 0.167 | 0.253 | 20.1 | 15.6 | 24.0 |
| Violet | – | 0.216 | 0.089 | 6.6 | 5.1 | 8.0 |
| Spring Green | 509 | 0.194 | 0.502 | 18.2 | 14.2 | 21.9 |

Connections

Integral 4-pin M12/Euro-style quick disconnect, or 150 mm (6 in) PVC cable with quick disconnect, depending on model
Requires a mating cordset

Construction

Bases and Covers: ABS
Light Segment: Polycarbonate

Operating Conditions

Non-Audible: –40 °C to +50 °C (–40 °F to +122 °F)
Standard and Audible Sealed: –20 °C to +50 °C (–4 °F to +122 °F)
95% at +50 °C maximum relative humidity (non-condensing)

Environmental Rating

NEMA/UL Type 13
Non-Audible and Sealed Audible: IEC IP67
Standard Audible: IEC IP50

Vibration and Mechanical Shock

Vibration: 10 Hz to 55 Hz, 1.0 mm peak-to-peak amplitude per IEC 60068-2-6
Shock: 30G 11 ms duration, half sine wave per IEC 60068-2-27

Certifications



Required Overcurrent Protection



WARNING: Electrical connections must be made by qualified personnel in accordance with local and national electrical codes and regulations.

Overcurrent protection is required to be provided by end product application per the supplied table.
Overcurrent protection may be provided with external fusing or via Current Limiting, Class 2 Power Supply.
Supply wiring leads < 24 AWG shall not be spliced.
For additional product support, go to www.bannerengineering.com.

| Supply Wiring (AWG) | Required Overcurrent Protection (Amps) |
|---------------------|--|
| 20 | 5.0 |
| 22 | 3.0 |
| 24 | 2.0 |
| 26 | 1.0 |
| 28 | 0.8 |
| 30 | 0.5 |

¹ Refer to CIE 1931 chromaticity diagram or color chart to show equivalent color with indicated color coordinates

Dimensions

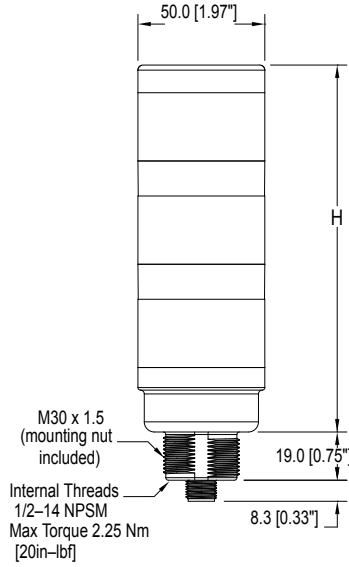


Figure 1. Standard Model Dimensions

Table 1: Standard Models

| # of Segments | Non-Audible | Standard Audible | Sealed Audible | Omni-Directional Sealed Audible |
|---------------|--------------|------------------|----------------|---------------------------------|
| 1 | 61.2 (2.4) | 92 (3.6) | 115.1 (4.5) | 129.1 (5.1) |
| 2 | 101.9 (4) | 132.7 (5.2) | 155.8 (6.1) | 169 (6.7) |
| 3 | 142.6 (5.6) | 173.4 (6.8) | 196.5 (7.7) | 210.5 (8.3) |
| 4 | 183.3 (7.2) | 214.1 (8.4) | 237.2 (9.3) | 251.2 (9.9) |
| 5 | 224 (8.8) | 254.8 (10) | 277.9 (10.9) | 291.9 (11.5) |
| 6 | 264.7 (10.4) | 295.5 (11.6) | 318.6 (12.5) | 332.6 (13.1) |
| 7 | 305.4 (12) | 336.2 (13.2) | 359.3 (14.1) | 373.3 (14.7) |
| 8 | 346.1 (13.6) | 376.9 (14.8) | 400 (15.7) | 414 (16.3) |
| 9 | 386.8 (15.2) | 417.6 (16.4) | 440.7 (15.7) | 454.7 (17.9) |
| 10 | 427.5 (16.8) | 458.3 (18) | 481.4 (18.9) | 495.4 (19.5) |

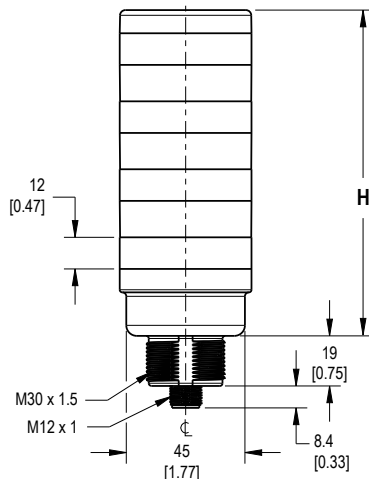


Figure 2. Compact and Beacon Model Dimensions

Table 2: Compact and Beacon Models

| # of Segments | Non-Audible | Standard Audible | Sealed Audible | Omni-Directional Sealed Audible |
|---------------|--------------|------------------|----------------|---------------------------------|
| 1 | 46.2 (1.9) | 77.1 (3.1) | 110.2 (4) | 114.2 (4.5) |
| 2 | 72 (2.9) | 102.9 (4.1) | 126 (5) | 140 (5.5) |
| 3 | 97.8 (123.6) | 128.7 (5.1) | 151.8 (6) | 165.8 (6.5) |
| 4 | 123.6 (4.9) | 154.5 (6.1) | 177.6 (7) | 191.6 (7.5) |
| 5 | 149.4 (5.9) | 180.3 (7.1) | 203.4 (8) | 217.4 (8.5) |
| 6 | 175.2 (6.9) | 206.1 (8.1) | 229.2 (9) | 243.2 (9.5) |
| 7 | 201 (7.9) | 231.9 (9.1) | 255 (10) | 269 (10.5) |
| 8 | 226.8 (8.9) | 257.7 (10.1) | 280.8 (11) | 294.8 (11.5) |
| 9 | 252.6 (9.9) | 283.5 (11.1) | 306.6 (12) | 320.6 (12.5) |
| 10 | 278.4 (10.9) | 309.3 (12.1) | 332.4 (13) | 346.4 (13.5) |

All measurements are listed in millimeters [inches], unless noted otherwise.

Accessories

Cordsets

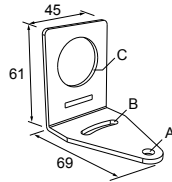
| 4-Pin Threaded M12/Euro-Style Cordsets—Double Ended | | | | |
|---|----------------|-----------------------------------|------------|---|
| Model | Length | Style | Dimensions | Pinout |
| MQDEC-401SS | 0.31 m (1 ft) | Male Straight/ Female Straight | | Female |
| MQDEC-403SS | 0.91 m (3 ft) | | | 1 2 3 4 |
| MQDEC-406SS | 1.83 m (6 ft) | | | Male |
| MQDEC-412SS | 3.66 m (12 ft) | | | 1 2 3 4 |
| MQDEC-420SS | 6.10 m (20 ft) | | | |
| MQDEC-430SS | 9.14 m (30 ft) | | | |
| MQDEC-450SS | 15.2 m (50 ft) | | | 1 = Brown 2 = White 3 = Blue 4 = Black |

Mounting Brackets

All measurements are listed in millimeters [inches], unless noted otherwise.

SMB30A

- Right-angle bracket with curved slot for versatile orientation
- Clearance for M6 (¼ in) hardware
- Mounting hole for 30 mm sensor
- 12-ga. stainless steel

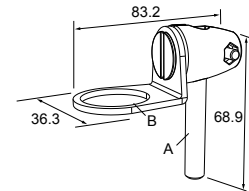


Hole center spacing: A to B=40

Hole size: A=ø 6.3, B= 27.1 x 6.3, C=ø 30.5

SMB30FA

- Swivel bracket with tilt and pan movement for precise adjustment
- Mounting hole for 30 mm sensor
- 12-ga. 304 stainless steel
- Easy sensor mounting to extrude rail T-slot
- Metric and inch size bolt available

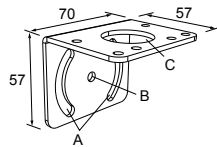


Bolt thread: SMB30FA, A= 3/8 - 16 x 2 in; SMB30FAM10, A= M10 - 1.5 x 50

Hole size: B= ø 30.1

SMB30MM

- 12-ga. stainless steel bracket with curved mounting slots for versatile orientation
- Clearance for M6 (¼ in) hardware
- Mounting hole for 30 mm sensor

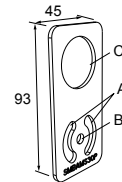


Hole center spacing: A = 51, A to B = 25.4

Hole size: A = 42.6 x 7, B = ø 6.4, C = ø 30.1

SMBAMS30P

- Flat SMBAMS series bracket
- 30 mm hole for mounting sensors
- Articulation slots for 90°+ rotation
- 12-ga. 300 series stainless steel

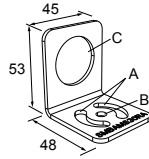


Hole center spacing: A=26.0, A to B=13.0

Hole size: A=26.8 x 7.0, B=ø 6.5, C=ø 31.0

SMBAMS30RA

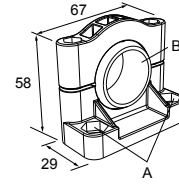
- Right-angle SMBAMS series bracket
- 30 mm hole for mounting sensors
- Articulation slots for 90°+ rotation
- 12-ga. (2.6 mm) cold-rolled steel



Hole center spacing: A=26.0, A to B=13.0
Hole size: A=26.8 x 7.0, B=ø 6.5, C=ø 31.0

SMB30SC

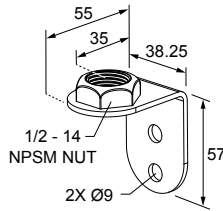
- Swivel bracket with 30 mm mounting hole for sensor
- Black reinforced thermoplastic polyester
- Stainless steel mounting and swivel locking hardware included



Hole center spacing: A=ø 50.8
Hole size: A=ø 7.0, B=ø 30.0

LMBE12RA35

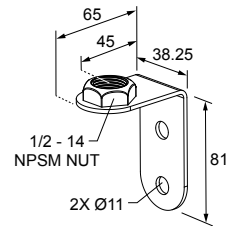
- Direct mounting of stand-off pipe, with common bracket type
- Zinc-plated steel
- 1/2-14 NPSM nut
- Mounting distance from the wall to the center of the 1/2-14 NPSM nut is 35 mm



Hole center spacing: 20.0

LMBE12RA45

- Direct mounting of stand-off pipe, with common bracket type
- Zinc-plated steel
- 1/2-14 NPSM nut
- Mounting distance from the wall to the center of the 1/2-14 NPSM nut is 45 mm



Hole center spacing: 35.0

LMB Sealed Right-Angle Bracket

| Model | Description | Construction | |
|-----------|---|---------------------|--|
| LMB30RA | Direct-Mount Models: Bracket kit with base, 30 mm adapter, set screw, fasteners, O-rings, and gaskets. | Black polycarbonate | |
| LMB30RAC | | Gray polycarbonate | |
| LMBE12RA | Pipe-Mount Models: Bracket kit with base, 1/2-14 pipe adapter, set screw, fasteners, O-rings, and gaskets. For use with stand-off pipe (listed and sold separately). | Black polycarbonate | |
| LMBE12RAC | | Gray polycarbonate | |

Elevated Mount System

| Model | Features | | | Components | | | |
|--|--|--------------------------------------|-------------------------|---|--|--|--|
| SA-M30TE12 - Black Acetal | <ul style="list-style-type: none"> • Streamlined black acetal or white UHMW stand-off pipe adapter/cover • Connects between 30 mm light base and 1/2 in. NPSM/DN15 pipe • Mounting hardware included | | | | | | |
| SA-M30TE12C - White UHMW | | | | | | | |
| <table border="1"> <tr> <td>Polished 304 Stainless Steel</td> <td>Black Anodized Aluminum</td> <td>Clear Anodized Aluminum</td> </tr> </table> | Polished 304 Stainless Steel | Black Anodized Aluminum | Clear Anodized Aluminum | <ul style="list-style-type: none"> • Elevated-use stand-off pipe (1/2 in. NPSM/DN15) • Polished 304 stainless steel, black anodized aluminum, or clear anodized aluminum surface • 1/2 in. NPT thread at both ends • Compatible with most industrial environments | | | |
| Polished 304 Stainless Steel | Black Anodized Aluminum | Clear Anodized Aluminum | | | | | |
| SOP-E12-150SS 150 mm (6 in) long | SOP-E12-150A 150 mm (6 in) long | SOP-E12-150AC 150 mm (6 in) long | | | | | |
| SOP-E12-300SS 300 mm (12 in) long | SOP-E12-300A 300 mm (12 in) long | SOP-E12-300AC 300 mm (12 in) long | | | | | |
| SOP-E12-900SS 900 mm (36 in) long | SOP-E12-900A 900 mm (36 in) long | SOP-E12-900AC 900 mm (36 in) long | | | | | |
| SA-E12M30 - Black Acetal | <ul style="list-style-type: none"> • Streamlined black acetal or white UHMW mounting base adapter/cover • Connects between 1/2 in. NPSM/DN15 pipe and 30 mm (1-3/16 in) drilled hole • Mounting hardware included | | | | | | |
| SA-E12M30C - White UHMW | | | | | | | |

Pipe Mounting Flange

| Pipe Mounting Flange | | | |
|----------------------|--|-------------------------------------|--|
| Model | Features | Construction | |
| SA-F12 | <ul style="list-style-type: none"> Elevated-use stand-off pipes (1/2 in, NPSM/DN15) M5 mounting hardware and nitrile gasket included | Die-cast zinc base with black paint | |
| SA-F12-3 | <ul style="list-style-type: none"> Elevated-use stand-off pipes (1/2 in, NPSM/DN15) M4 mounting hardware and nitrile blend gasket included | Black Polycarbonate | |

Foldable Mounting Brackets

| Foldable Mounting Brackets | | | |
|----------------------------|---|---------------------|--|
| Model | Features | Construction | |
| SA-FFB12 | <ul style="list-style-type: none"> For use with 1/2 inch stand-off pipes Stainless steel hardware | Black polycarbonate | |
| SA-FFB12C | | Gray polycarbonate | |

Banner Engineering Corp. Limited Warranty

Banner Engineering Corp. warrants its products to be free from defects in material and workmanship for one year following the date of shipment. Banner Engineering Corp. will repair or replace, free of charge, any product of its manufacture which, at the time it is returned to the factory, is found to have been defective during the warranty period. This warranty does not cover damage or liability for misuse, abuse, or the improper application or installation of the Banner product.

THIS LIMITED WARRANTY IS EXCLUSIVE AND IN LIEU OF ALL OTHER WARRANTIES WHETHER EXPRESS OR IMPLIED (INCLUDING, WITHOUT LIMITATION, ANY WARRANTY OF MERCHANTABILITY OR FITNESS FOR A PARTICULAR PURPOSE), AND WHETHER ARISING UNDER COURSE OF PERFORMANCE, COURSE OF DEALING OR TRADE USAGE.

This Warranty is exclusive and limited to repair or, at the discretion of Banner Engineering Corp., replacement. **IN NO EVENT SHALL BANNER ENGINEERING CORP. BE LIABLE TO BUYER OR ANY OTHER PERSON OR ENTITY FOR ANY EXTRA COSTS, EXPENSES, LOSSES, LOSS OF PROFITS, OR ANY INCIDENTAL, CONSEQUENTIAL OR SPECIAL DAMAGES RESULTING FROM ANY PRODUCT DEFECT OR FROM THE USE OR INABILITY TO USE THE PRODUCT, WHETHER ARISING IN CONTRACT OR WARRANTY, STATUTE, TORT, STRICT LIABILITY, NEGLIGENCE, OR OTHERWISE.**

Banner Engineering Corp. reserves the right to change, modify or improve the design of the product without assuming any obligations or liabilities relating to any product previously manufactured by Banner Engineering Corp. Any misuse, abuse, or improper application or installation of this product or use of the product for personal protection applications when the product is identified as not intended for such purposes will void the product warranty. Any modifications to this product without prior express approval by Banner Engineering Corp will void the product warranties. All specifications published in this document are subject to change; Banner reserves the right to modify product specifications or update documentation at any time. Specifications and product information in English supersede that which is provided in any other language. For the most recent version of any documentation, refer to: www.bannerengineering.com.

For patent information, see www.bannerengineering.com/patents.

FCC Part 15 and CAN ICES-3 (B)/NMB-3(B)

This device complies with part 15 of the FCC Rules and CAN ICES-3 (B)/NMB-3(B). Operation is subject to the following two conditions:

- This device may not cause harmful interference, and
- This device must accept any interference received, including interference that may cause undesired operation.

This equipment has been tested and found to comply with the limits for a Class B digital device, pursuant to part 15 of the FCC Rules and CAN ICES-3 (B)/NMB-3(B). These limits are designed to provide reasonable protection against harmful interference in a residential installation. This equipment generates, uses and can radiate radio frequency energy and, if not installed and used in accordance with the instructions, may cause harmful interference to radio communications. However, there is no guarantee that interference will not occur in a particular installation. If this equipment does cause harmful interference to radio or television reception, which can be determined by turning the equipment off and on, the user is encouraged to try to correct the interference by one or more of the following measures:

- Reorient or relocate the receiving antenna.
- Increase the separation between the equipment and receiver.
- Connect the equipment into an outlet on a circuit different from that to which the receiver is connected.
- Consult the manufacturer.