



### Key Features

- Miniature Design: Ø22 x 22mm
- Through Hole / Screw Mounting
- 2.4 to 2.5GHz Operating Frequency
- 2dBi Peak Gain

### General Description

The Tango 25 is a miniature through-hole mount, WiFi / WLAN antenna. Measuring at an impressive 22 x 22mm, this is one of the most compact screw mount WiFi antennas on the market. The Tango 25 provides the user with a compact WiFi solution that can be securely fixed to its mounting surface. Despite the compact size, this antenna provides great WiFi performance for improved WiFi signal transmission and reception. This all lends a hand into making the Tango 25 ideal for WiFi applications that require a covert antenna solution.

The Tango 25 is tuned to operate within the 2.4 – 2.5GHz frequencies, making this antenna perfect for WiFi, Bluetooth and Zigbee applications. The Tango 25 achieves a reputable peak gain of 2dBi, helping to improve the short range signal transmission/reception of your WiFi modems, Bluetooth gadgets or even your low power ZigBee sensor.

The Tango 25 is supplied, as standard, with 100mm of RG174 coaxial cable, terminated with a reverse polarity SMA male connector. Custom cable lengths and alternative connector types can be supplied for volume requirements.

### Additional Considerations

- Made out of durable ABS for a long lasting antenna
- Supplied with a short cable to allow flexible mounting positioning
- 8mm long screw thread for secure through-hole mounting
- RoHS Compliant

Rev 1.1

### Electrical Specifications

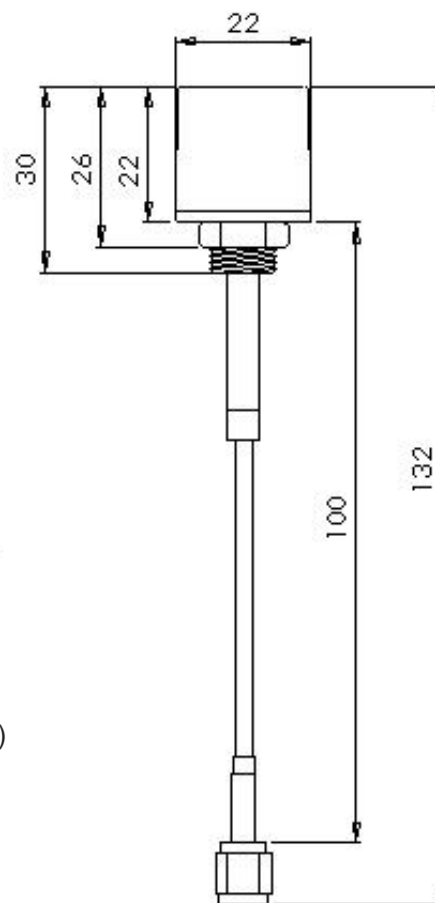
Operating temperature:	-30 to +60°C
Impedance:	50 ± 5ohm
Gain:	2dBi
VSWR:	≤ 2.0
Frequency range:	2.4 - 2.5GHz
Max power:	1 Watt
Isolation:	NA
Beamwidth:	H-PLANE - 360° E-PLANE - 67°
Polarization:	Vertical

### Mechanical Specifications

Dimensions:	Ø22 x 22mm
Weight:	13 ± 2g
Connector:	RP SMA Male
Cable:	100mm RG174 coaxial
RoHS compliant:	Yes

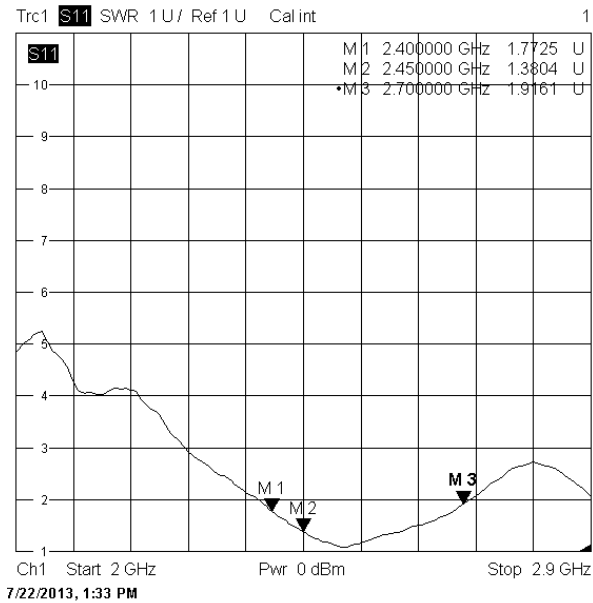


Recommended panel hole cutout (mm)

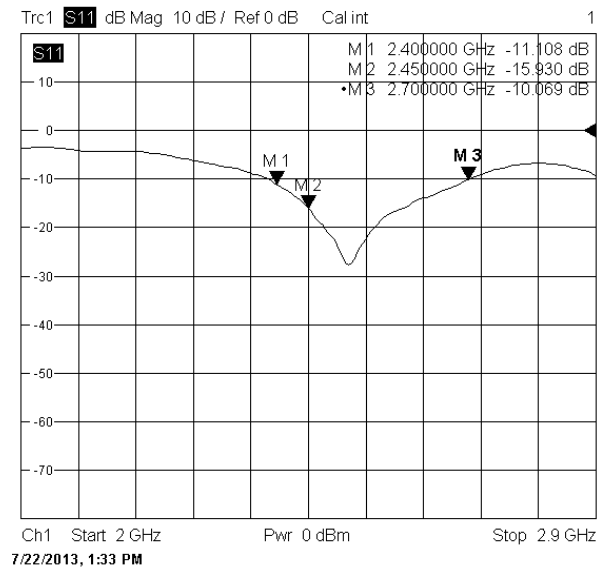


### Test Reports

#### VSWR

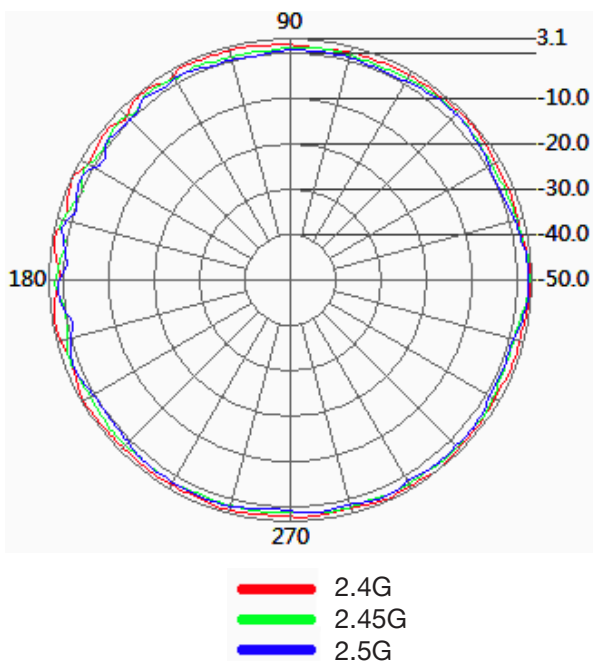


#### S11



### Radiation Patterns

#### H Plane



#### E Plane

