

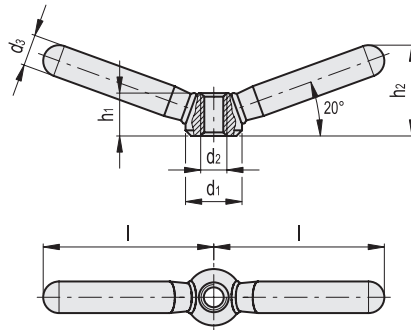
STANDARD EXECUTIONS

Hub with threaded pass-through hole.

Arm fixed to the hub by welding.

- GN 99.7: zinc-plated steel.

- GN 99.8: AISI 304 stainless steel, sandblasted matte finish.



GN 99.7

Code	Description	d1	d2	l	h1	h2	d3	⚖️
GN.20701	GN 99.7-16-M8	16	M8	47.5	12.5	26	10	55
GN.20711	GN 99.7-20-M10	20	M10	59.5	15	32	12	105
GN.20721	GN 99.7-25-M12	25	M12	75.5	19	40	14	210
GN.20731	GN 99.7-32-M16	32	M16	94.5	25	52	18	432
GN.20741	GN 99.7-40-M20	40	M20	118	31	62	20	716

GN 99.8

INOX STAINLESS STEEL

Code	Description	d1	d2	l	h1	h2	d3	⚖️
GN.20801	GN 99.8-16-M8	16	M8	47.5	12.5	26	10	50
GN.20811	GN 99.8-20-M10	20	M10	59.5	15	32	12	100
GN.20821	GN 99.8-25-M12	25	M12	75.5	19	40	14	212
GN.20831	GN 99.8-32-M16	32	M16	94.5	25	52	18	435
GN.20841	GN 99.8-40-M20	40	M20	118	31	62	20	710

