

- 1
- 2
- 3
- 4
- 5
- 6
- 7
- 8
- 9
- 10
- 11
- 12
- 13
- 14
- 15
- 16
- 17
- 18

**MATERIAL**

Glass-fibre reinforced polyamide based (PA) technopolymer, black or grey colour RAL 7040 (C33), matte finish.

**ROTATING PIN**

Zinc-plated steel.

**STANDARD EXECUTION**

Pass-through holes for M6 countersunk head screws.

**TECHNOPOLYMER CENTERING INSERTS (SUPPLIED)**

For profiles with slot dimensions from 6 to 12 mm.

**ADJUSTABLE HANDLE FOR CLAMPING**

Glass-fibre reinforced polyamide based (PA) technopolymer, black colour, matte finish.

Red writing "PUSH" tampoprinted on the lever body (avoid contact with solvents, alcohol or detergents containing alcohol).

Black-oxide steel retaining screw, AISI 302 stainless steel return spring. Boss with threaded blind hole in black-oxide steel.

**WASHER**

Zinc-plated, positioned between the adjustable handle and the hinge body.

**ROTATION ANGLE (APPROXIMATE VALUE)**

Max 280° (-100° and +180° being 0° the condition where the two interconnected surfaces are on the same plane).

Do not exceed the rotation angle limit so as not to prejudice the hinge mechanical performance.

To choose the convenient type and the right number of hinges for your application, see the Guidelines (see page 1298).

**FEATURES AND APPLICATIONS**

The CFG-ERS hinge with friction locking enables the locking of a door in any desired position within a field of rotation of 280° with a force proportional to the torque applied to the ERS lever.

This type of hinge can be used with profiles from 30 up to 60 mm, also combining different dimensions.

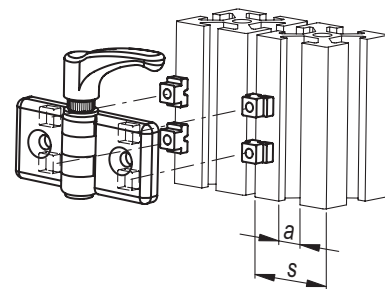
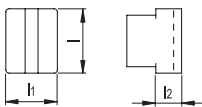
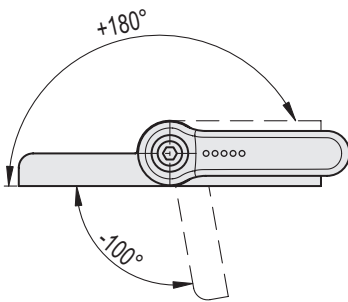


FPM design



**INSTRUCTIONS OF USE**

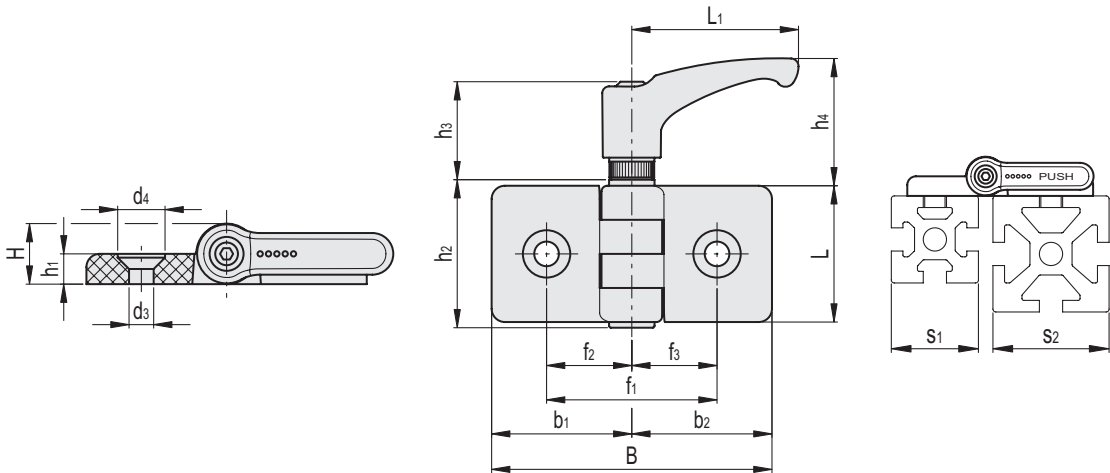
The friction effect is obtained by clamping the two hinged bodies using the special adjustable handle. To operate the adjusting mechanism, push down the lever (PUSH). By releasing the lever, the spring releases the toothing, thus the handle can return to its starting position and the lever can rotate freely together with the door without obstructing the movement, even in case of accidental shock. The high number of teeth within the adjustable handle guarantees rotation even in case of very limited movement of the lever arm.



Centering inserts			
Dimensions			Colour
l	l1	l2	
8	6	2	Light grey
10	8	4	Dark grey
12	10	5	Black

Profile dimension		Insert orientation	Insert colour
s	a		
30	6		Light grey
	8		
40+45	8		Dark grey
	10		
50+60	10		Black
	12		

Description	Axial Stress		Radial Stress		90° Angled Stress	
	Maximum working load Ea [N]	Load at breakage Ra [N]	Maximum working load Er [N]	Load at breakage Rr [N]	Maximum working load E90 [N]	Load at breakage R90 [N]
CFG.30/30 SH-6	440	2570	1850	3710	300	1700
CFG.30/40 SH-6	320	2280	1750	3490	590	870
CFG.30/45 SH-6	240	2150	1760	3520	190	780
CFG.30/60 SH-6	280	1510	1600	3190	180	850
CFG.40/40 SH-6	320	2280	1750	3490	220	870
CFG.40/45 SH-6	240	2150	1750	3490	390	780
CFG.40/60 SH-6	280	1510	1600	3190	180	850
CFG.45/45 SH-6	240	2150	1760	3520	190	780
CFG.45/60 SH-6	240	1510	1600	3190	180	780
CFG.60/60 SH-6	280	1510	1600	3190	180	850



CFG-ERS

Code	Description	s1	s2	L	B	L1	f1 ±0.25	f2	f3	H	h1	h2	h3	h4	b1	b2	d3	d4	C# [Nm]	Δ
423916	CFG.30/30-ERS-SH-6	30	30	36	54	44	35	17.5	17.5	16	8	38.5	29	38	27	27	6.5	12.5	5	50
423917	CFG.30/40-ERS-SH-6	30	40	36	64	44	40	17.5	22.5	16	8	38.5	29	38	27	37	6.5	12.5	5	52
423918	CFG.30/45-ERS-SH-6	30	45	36	69	44	42.5	17.5	25	16	8	38.5	29	38	27	42	6.5	12.5	5	53
423919	CFG.30/60-ERS-SH-6	30	60	36	84	44	50	17.5	32.5	16	8	38.5	29	38	27	57	6.5	12.5	5	57
423926	CFG.40/40-ERS-SH-6	40	40	36	74	44	45	22.5	22.5	16	8	38.5	29	38	37	37	6.5	12.5	5	55
423927	CFG.40/45-ERS-SH-6	40	45	36	79	44	47.5	22.5	25	16	8	38.5	29	38	37	42	6.5	12.5	5	55
423928	CFG.40/60-ERS-SH-6	40	60	36	94	44	55	22.5	32.5	16	8	38.5	29	38	37	57	6.5	12.5	5	59
423936	CFG.45/45-ERS-SH-6	45	45	36	84	44	50	25	25	16	8	38.5	29	38	42	42	6.5	12.5	5	55
423937	CFG.45/60-ERS-SH-6	45	60	36	99	44	57.5	25	32.5	16	8	38.5	29	38	42	57	6.5	12.5	5	60
423946	CFG.60/60-ERS-SH-6	60	60	36	114	44	65	32.5	32.5	16	8	38.5	29	38	57	57	6.5	12.5	5	65

CFG-ERS-C33

423916-C33	CFG.30/30-ERS-SH-6-C33	30	30	36	54	44	35	17.5	17.5	16	8	38.5	29	38	27	27	6.5	12.5	5	50
423917-C33	CFG.30/40-ERS-SH-6-C33	30	40	36	64	44	40	17.5	22.5	16	8	38.5	29	38	27	37	6.5	12.5	5	52
423918-C33	CFG.30/45-ERS-SH-6-C33	30	45	36	69	44	42.5	17.5	25	16	8	38.5	29	38	27	42	6.5	12.5	5	53
423919-C33	CFG.30/60-ERS-SH-6-C33	30	60	36	84	44	50	17.5	32.5	16	8	38.5	29	38	27	57	6.5	12.5	5	57
423926-C33	CFG.40/40-ERS-SH-6-C33	40	40	36	74	44	45	22.5	22.5	16	8	38.5	29	38	37	37	6.5	12.5	5	55
423927-C33	CFG.40/45-ERS-SH-6-C33	40	45	36	79	44	47.5	22.5	25	16	8	38.5	29	38	37	42	6.5	12.5	5	55
423928-C33	CFG.40/60-ERS-SH-6-C33	40	60	36	94	44	55	22.5	32.5	16	8	38.5	29	38	37	57	6.5	12.5	5	59
423936-C33	CFG.45/45-ERS-SH-6-C33	45	45	36	84	44	50	25	25	16	8	38.5	29	38	42	42	6.5	12.5	5	55
423937-C33	CFG.45/60-ERS-SH-6-C33	45	60	36	99	44	57.5	25	32.5	16	8	38.5	29	38	42	57	6.5	12.5	5	60
423946-C33	CFG.60/60-ERS-SH-6-C33	60	60	36	114	44	65	32.5	32.5	16	8	38.5	29	38	57	57	6.5	12.5	5	65

# Suggested tightening torque for assembly screws.

