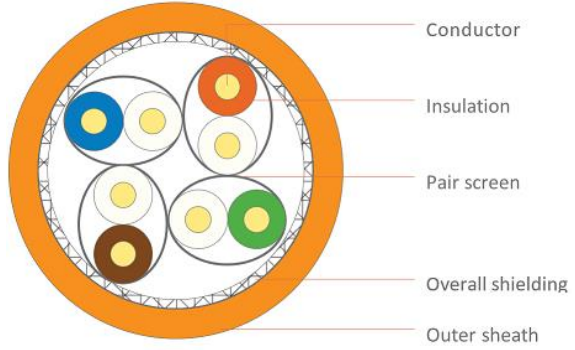
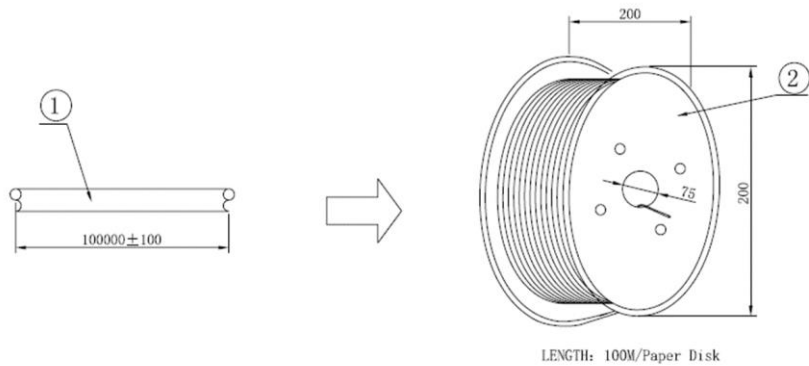


	REVISED	DR	APP



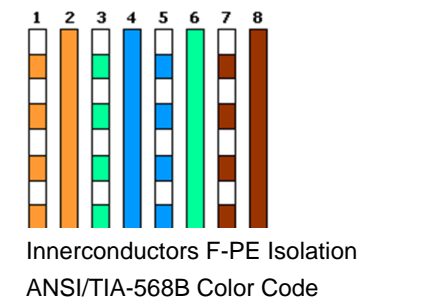
CABLEMARKING: Cat. 7 S/FTP AWG 24/1 LSZH 100 OHM ISO/IEC 11801 IEC 61156-5 EN 50288-1-1 CE Euro-class Cca NB 2479 <date> (metermarking)

Standards
 International standard: ISO/IEC 11801 2nd ed., IEC 61156-5
 European standard: EN 50173-1, EN 50288-4-1

Flame resistancy
 Flame retardancy: IEC 60332-1-2
 Halogen free: IEC 60754-1/2
 Smoke density: IEC 61034-1/2

Cat. 7 network cable, field of application:
 indoor structured cabling.

- Specification: Cat. 7
- Transmission frequency up to: 600MHz
- Bandwidth up to: 10Gbps
- Number of shieldings: 2
- Shielding 1: ALU foil laminated PIMF (100% density)
- Shielding 2: ALU braid
- Shielding class: S/FTP
- Cable structure: AWG 24/1
- Wire material: copper
- Wire type: solid
- Wire number: 8 (4 x 2 twisted pair)
- Cable type: round cable
- Material cable sheath: LSZH (halogenfree)
- Diameter cable (ca.): 7.4mm
- CPR Euroclass: Cca-s1a,d1,a1
- Color cable: orange



1	CABLE	INNERCONDUCTOR AWG24 (0.53MM) SOLID BARE COPPER - PIMF, BRAIDING 40 x 0.12MM AL, OD = 7.4MM - LSZH - ORANGE RAL 2003
2	WINDING	25M - 50M = RING & FOIL 100M = PAPER SPOOL 200M - 500M = WODDEN SPOOL
3	TECHNICAL PARAMETER	SYSTEMCABLE - S/FTP CAT.7 - UP TO 600 MHZ - HALOGENFREE CPR CLASS: Cca s1 d1 a1
NO	PART NAME	



DESCRIPTION		INSTALLATION CABLE CAT 7 S/FTP PIMF HAL. FREE					
SIZE	A4	DATE		CHECKED		TOL	BS08-81031007
UNIT	MM	DRAWN		APPROVED			
CUSTOM TARIF NO.: 85444920000							