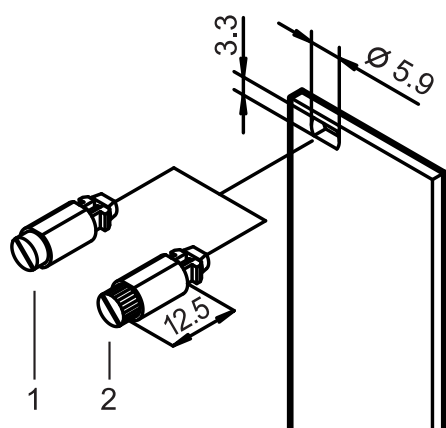


# Subracks - *europac* **PRO** ServicePLUS

## Assembly parts

- Quick-release fasteners
- Sleeves
- Screws
- Cage nuts
- Tools

## Quick-release fasteners



06702062

- Vibration and shock proof
- 1/4 rotary lock with defined stop
- Detection of locking position through slot position

### Delivery comprises

Qty	Description
1	Locking pin, St, locking, Zn die-cast
1	Press-in sleeve, POM

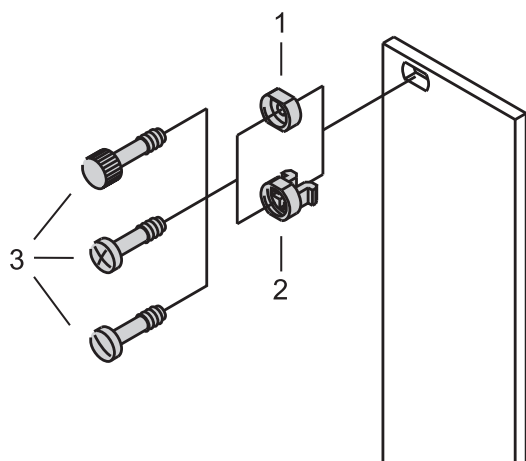
### Order Information

Item	Description	Qty/PU	Part no.
1	With slotted head, grey	100	21101-847
1	With slotted head, black	100	21101-848
2	With knurled and slotted head, grey	100	21101-849
2	With knurled and slotted head, black	100	21101-850

### Note

Quick-release fasteners: mounting without threaded inserts

## Sleeves



06702061

### Order Information

Item	Description	Qty/PU	Part no.
2	Plastic sleeve, PA, grey	100	21100-464
2	Plastic sleeve, PA, black	100	21100-591
1	Metal sleeve, brass, nickel-plated	10	21100-659
1	Metal sleeve, brass, nickel-plated	100	21100-660
1	Metal sleeve, brass, black	100	21100-886
1	Metal sleeve, stainless steel	10	21100-661
1	Metal sleeve, stainless steel	100	21100-662

### Note

- Metal sleeves must be pressed-in in front panels
- Sleeve does not fit in 2 HP wide front panels