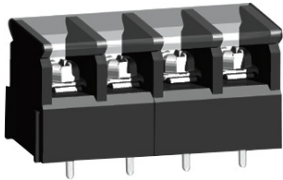


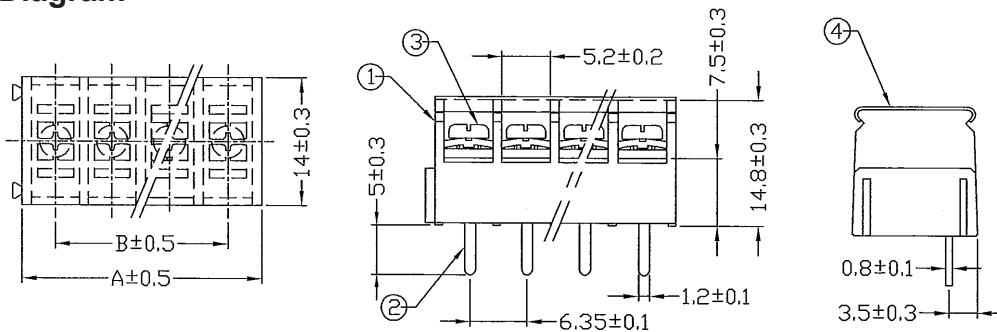
**RoHS  
Compliant**



## Specifications

Current Rating	: 10 Amp AC300V
Insulation withstands Volt	: AC2000V min.
Insulation Resistance	: >2000MΩ DC500V
Operation Temperature	: -40°C to +105°C
Wire Range	: 16AWG to 30AWG
Screw Torque	: 10lb-inch

## Diagram



Dimensions : Millimetres

Pitch: 6.35mm		
Poles	A	B
2	13.7mm	6.35mm
3	20.05mm	12.7mm

SL	Material		Plating/Finish	Remark
1	Insulating Body	Polyamide 66 (UL94V-0)	-	Black
2	Terminal	Brass	Tin Plated	-
3	Screw	Steel	Ni Plated	-
4	Cover	PVC	-	-

## Part Number Table

Description	Part Number
Barrier Terminal Block, 6.35mm, 10A 300V, Modular Type, with cover, 2 Poles	MC002080
Barrier Terminal Block, 6.35mm, 10A 300V, Modular Type, with cover, 3 Poles	MC002081

**Important Notice** : This data sheet and its contents (the "Information") belong to the members of the AVNET group of companies (the "Group") or are licensed to it. No licence is granted for the use of it other than for information purposes in connection with the products to which it relates. No licence of any intellectual property rights is granted. The Information is subject to change without notice and replaces all data sheets previously supplied. The Information supplied is believed to be accurate but the Group assumes no responsibility for its accuracy or completeness, any error in or omission from it or for any use made of it. Users of this data sheet should check for themselves the Information and the suitability of the products for their purpose and not make any assumptions based on information included or omitted. Liability for loss or damage resulting from any reliance on the Information or use of it (including liability resulting from negligence or where the Group was aware of the possibility of such loss or damage arising) is excluded. This will not operate to limit or restrict the Group's liability for death or personal injury resulting from its negligence. Multicomp Pro is the registered trademark of Premier Farnell Limited 2019.

Newark.com/multicomp-pro  
Farnell.com/multicomp-pro  
Element14.com/multicomp-pro