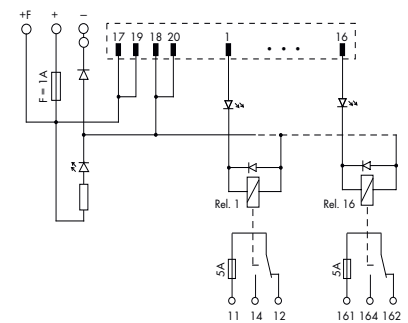
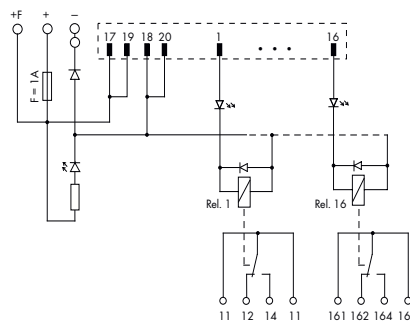
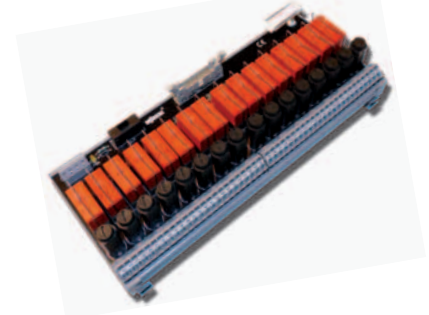
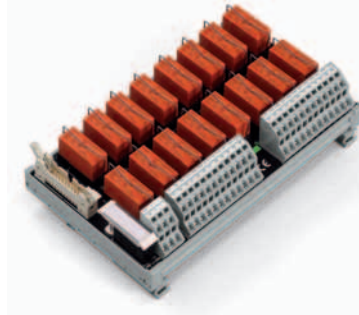


	Relay output module with miniature switching relay for 16 channels, 1 changeover contact each (1 u) with integrated status indication, 20-pole connector acc. to DIN 41651	Relay output module with miniature switching relay for 16 channels, 1 changeover contact each (1 u) with integrated status indication and output fuse, 20-pole connector acc. to DIN 41651
--	---	---



Description	Item No.	Pack. Unit	Item No.	Pack. Unit
Switching relay module, for DIN 35 rail	704-5004	1	704-5034	1
Switching relay module without miniature switching relay, for DIN 35 rail	704-5014	1		

Technical Data				
Contact material	AgNi 90/10		AgNi 90/10	
Contact type	1 changeover contact		1 changeover contact	
Operating voltage	24 V DC (± 10 %)		24 V DC (± 10 %)	
Max. switching voltage	250 V AC / 48 V DC		250 V AC / 48 V DC	
Max. continuous current	5 A		5 A	
Inrush current	2s, 16A		2s, 16A	
Max. switching power (resistive)	1250VA / 50W		1250VA / 50W	
Status indication	LED green : Channel LED yellow : Power supply		LED green : Channel LED yellow : Power supply	
Mechanical life	30 x 10 ⁶ switching operations		30 x 10 ⁶ switching operations	
Dielectric strength contact-coil (AC, 1 min)	3 kV		4 kV	
Dielectric strength contact-contact	1 kV		1 kV	
Fuse	Supply: 1 A Relay output: -		Supply: 1 A Relay output: 5 A	
Ambient operating temperature	-25 °C ... +50 °C		-25 °C ... +50 °C	
Storage temperature	-40 °C ... +70 °C		-40 °C ... +70 °C	
Dimensions (mm) L x W x H incl. mounting carrier and relay	180 x 50 x 105		247 x 55 x 105	
Wire connection	Height from upper-edge of DIN 35 rail Inpu: 20-pole connector acc. to DIN 41651 Output: CAGE CLAMP®		Height from upper-edge of DIN 35 rail Inpu: 20-pole connector acc. to DIN 41651 Output: CAGE CLAMP®	
Cross sections	0.08 mm ² ... 2.5 mm ² / AWG 28 ... 12		0.08 mm ² ... 2.5 mm ² / AWG 28 ... 12	
Strip length	5 ... 6 mm / 0.22 in		5 ... 6 mm / 0.22 in	
Accessories	Spare relay 788-154		Spare relay 788-154	