



Sensors > Digital Component Sensors > MS8607 DIGILENT PMOD



Digital Component Sensor Product Type: **Peripheral Modules**

Digital Component Sensor Type: **Humidity, Pressure, Temperature**

[All MS8607 DIGILENT PMOD \(1\)](#)

Features

Product Type Features

Digital Component Sensor Product Type	Peripheral Modules
Digital Component Sensor Type	Humidity, Pressure, Temperature

Product Compliance

[For compliance documentation, visit the product page on TE.com>](#)

EU RoHS Directive 2011/65/EU	Not Compliant
EU ELV Directive 2000/53/EC	Not Yet Reviewed
China RoHS 2 Directive MIIT Order No 32, 2016	No Restricted Materials Above Threshold
EU REACH Regulation (EC) No. 1907/2006	Current ECHA Candidate List: JAN 2021 (211) Candidate List Declared Against: JUN 2020 (209) SVHC > Threshold: Not Yet Reviewed
Halogen Content	Not Yet Reviewed for halogen content
Solder Process Capability	Not reviewed for solder process capability

Product Compliance Disclaimer

This information is provided based on reasonable inquiry of our suppliers and represents our current actual knowledge based on the information they provided. This information is subject to change. The part numbers that TE has identified as EU RoHS compliant have a maximum concentration of 0.1% by weight in homogenous materials for lead, hexavalent chromium, mercury, PBB, PBDE, DBP, BBP, DEHP, DIBP, and 0.01% for cadmium, or qualify for an exemption to these limits as defined in the Annexes of Directive 2011/65/EU (RoHS2). Finished electrical and electronic equipment products will be CE marked as required by Directive 2011/65/EU. Components may not be CE marked. Additionally, the part numbers that TE has identified as EU ELV compliant have a maximum concentration of 0.1% by weight in homogenous

materials for lead, hexavalent chromium, and mercury, and 0.01% for cadmium, or qualify for an exemption to these limits as defined in the Annexes of Directive 2000/53/EC (ELV). Regarding the REACH Regulation, the information TE provides on SVHC in articles for this part number is based on the latest European Chemicals Agency (ECHA) 'Guidance on requirements for substances in articles' posted at this URL: <https://echa.europa.eu/guidance-documents/guidance-on-reach>

Compatible Parts

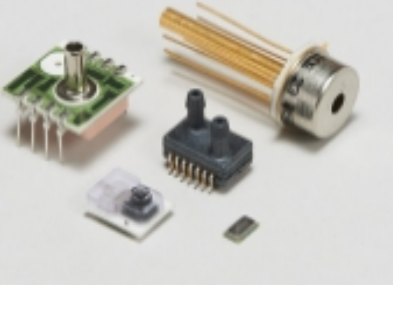


TE Part # CAT-DCS0009
TSYS01 DIGILENT PMOD




TE Part # CAT-DCS0006
HTU21D(F) DIGILENT PMOD

Also in the Series | MEAS MS8607



Board Level Pressure Sensors(2)



Digital Component Sensors(2)

Customers Also Bought



TE Part # DPP901A000
MS8607 WING BOARDS FOR XPLAINEDPRO



TE Part #1-2834331-1
Buchanan WireMate ITB Poke-In



TE Part #1623404-1
CRG1206 1% 10K



TE Part #1623446-1
CRG1206 1% 1K5



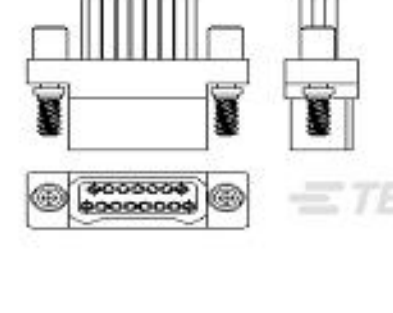
TE Part #1623502-1
CRG1206 1% 3K3



TE Part #1-2834021-2
2POS 2.5MM TES CONN.



TE Part #1-1879354-9
RR03 5% 1R8 AMMO



TE Part #1-1589472-2
STL009PC2DC012N = WDUALOBE



Documents

Datasheets & Catalog Pages

[MS8607 Peripheral-Module](#)

English

[MS8607 Zedboard](#)

English

[MS8607_Pmod_TE](#)

English

[MS8607 MicroZed](#)

English