

Support rail for easy-view storage bins

For installation on workbenches no. 50202 206-212

Application:

For mounting easy-view storage bins on a rail attached between the support struts.

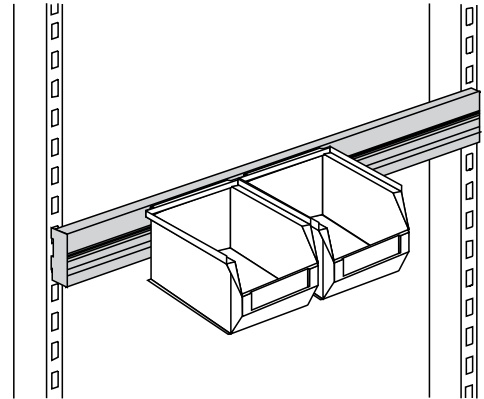
Execution:

- Aluminium profile, with rear mounting rail and 4 angles of inclination

Delivery:

Does not include easy-view storage bins

Art. no.	50202 242
Brand	HK
Manufacturer Part Number	50202242
Length	655 mm
Material	Aluminium
Gross Weight	0.900 kg
Product Group	5BC



EAN

4053625316663