



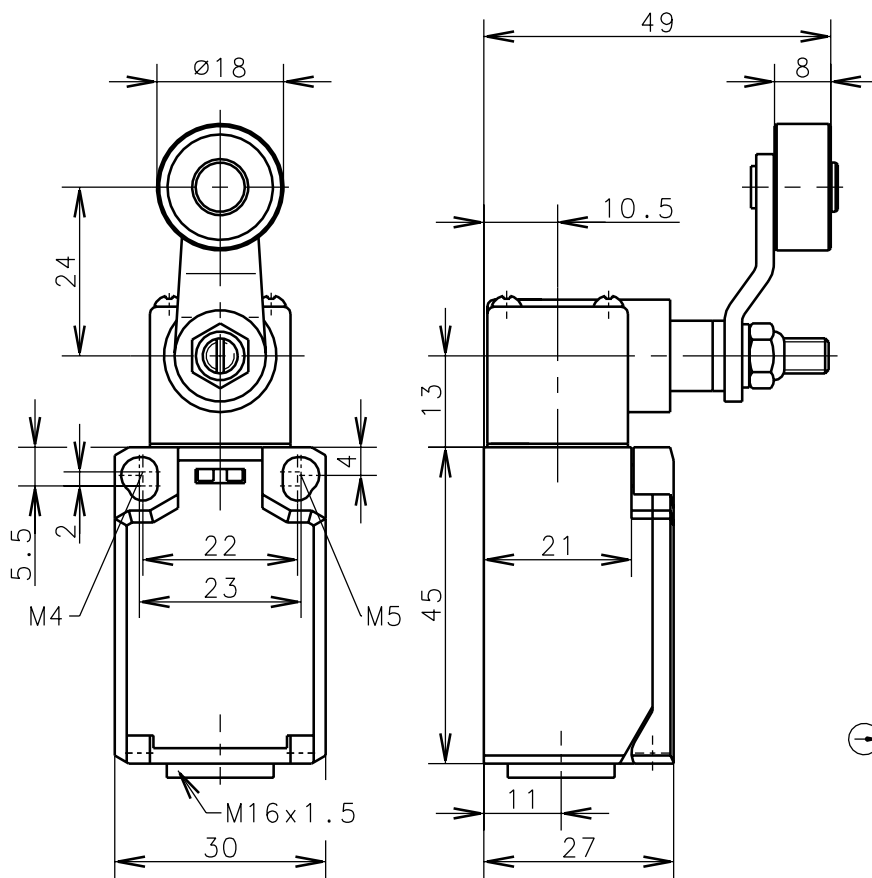
Bernstein

Bernstein AG
Postfach 1164
D-32437 Porta Westfalica

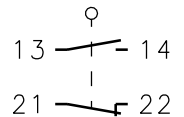
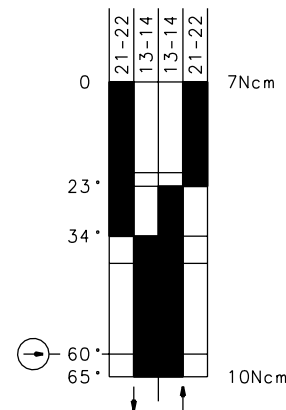
Technical data sheet

Ti2-SU1Z AH

608.8185.022



Positive opening operation according to DIN EN 60947-5-1 IEC 60947-5-1



Switching diagram

Switching symbol

Tolerance: operating point $\pm 3.5^\circ$; operating torque $\pm 10\%$

Mechanical features

Enclosure: PBT, glass fibre reinforced
 Cover: PA6.6, black
 Actuator: Turret head, roller (thermoplast)

Ambient air temperature: -30°C up to $+80^\circ\text{C}$
 Contact type: 1 NC-contact, 1 NO-contact (Zb)

Mechanical life: 3×10^6 switch operations
 Switch frequency: max. 100/min
 Mounting: 2xM4 or 2xM5 fixed positioning for safety applications
 Connection type: 4 screw connections (M3.5)
 Conductor cross-section: single core 0.5-1.5mm² / litz wire with connector sleeve 0.5-1.5mm²
 Cable entry size: 1 x M16x1.5
 Weight: approx. 0,07kg

Electrical features

Max. voltage: 250 V AC
 Max. enduring current: 1 th 10A
 Max. inrush current: according to IEC 947-5-1
 Utilization categorie: AC 15,A300 240V/3A, 120V/6A / DC 13,Q300 250V/0.27A, 125V/0.55A
 Standards: according to EN 60947-1; EN 60947-5-1
 Protection class (IP-Code): IP65 according to EN 60529; DIN VDE 0470 T1
 CSA/UL: 10A 300V AC, A300
 Short circuit protection: Fuse 6A gL

Approach possibilities

By loosening the 4 screws the Actuation Assembly can be rotated in 90 degree increments such that 4 Actuation directions are possible. The Actuation Assembly is to be again fastened to the housing using the 4 screws.

Remarks

The moving parts should be oiled periodically.
 The rated protection class (IP-Code) is valid only at closed cover and when using an at least equivalent cable gland.

Schutzvermerk nach DIN 34 beachten
Copyright reserved

02.10.2001