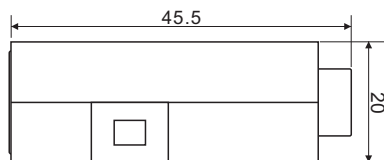
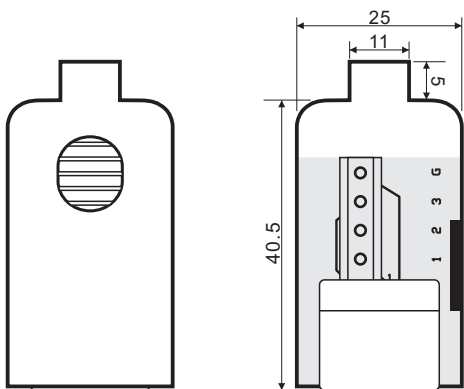
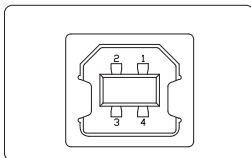


## USB B type, 2.0 Female Connector Modular

Item No. 2001C203



mm±0.2



PIN NUMBER	SIGNAL NAME
1	VBUS
2	D-
3	D+
4	GND



Screwdriver Included



Material:  
 Housing: PP  
 Insulator: PBT+25%GF  
 Connector shell: SPCC with plated Ni 40µ min.  
 Contact: Brass with plated Au1µ

Technical:  
 Voltage rating: 5V max.  
 Current rating: 2A max.  
 Contact resistance: 20mΩ max.  
 Insulation resistance: 1000MΩ min.  
 Dielectric withstanding voltage: 500V/AC(R.M.S)  
 Operation temperature: -20 ~85°C