

FELLER GMBH

A-2525 GUENSELSDORF, AUSTRIA - TEL.: . . 43(2256) 62 32 50 - FAX: . . 43 (2256) 62 32 57
e-mail: sales@feller-at.com <http://www.feller-at.com>

Description: G25-H03VVH2F2X075-0812/1,00M BLACK
Rating of power supply cord: 2,5A/250Vac

1. 1st end preparation: g25

25 mm jacket removed

2. CORD: Type H03VVH2F2X0,75 mm² BLACK

Flexible cord according to : ÖVE K41a,HD 21.S2; AS3191
Marked : *JF*<ÖVE><HAR>H03VVH2F2X0,75*N1095*CE
Number of cores : 2
Conductor construction : 23x0,2 mm O.D. 1,10mm
Conductor insulation : Extruded PVC, O.D. 2,10mm
Jacket : Extruded PVC, 3,30 mm x 5,40mm +/-0,20mm
Electrical resistance of conductors : max.26 Ω /km
Dielectric strength : 2kVac, 1min.
Insulation resistance : >0,010 M Ω /km
Color of conductors : brown, blue
Approvals : HARMONIZED,ÖVE

3. CONNECTOR: Type 0812

Design : Molded connector according to van standard
Rated current and voltage : 2,5 A, 250 V AC
Construction and outer mold : PVC compound, hardness Shore A 75-77
Contacts of the connection : FASTON 2,8X0,5 160484-1 B 0,5-1,0 MS BLK

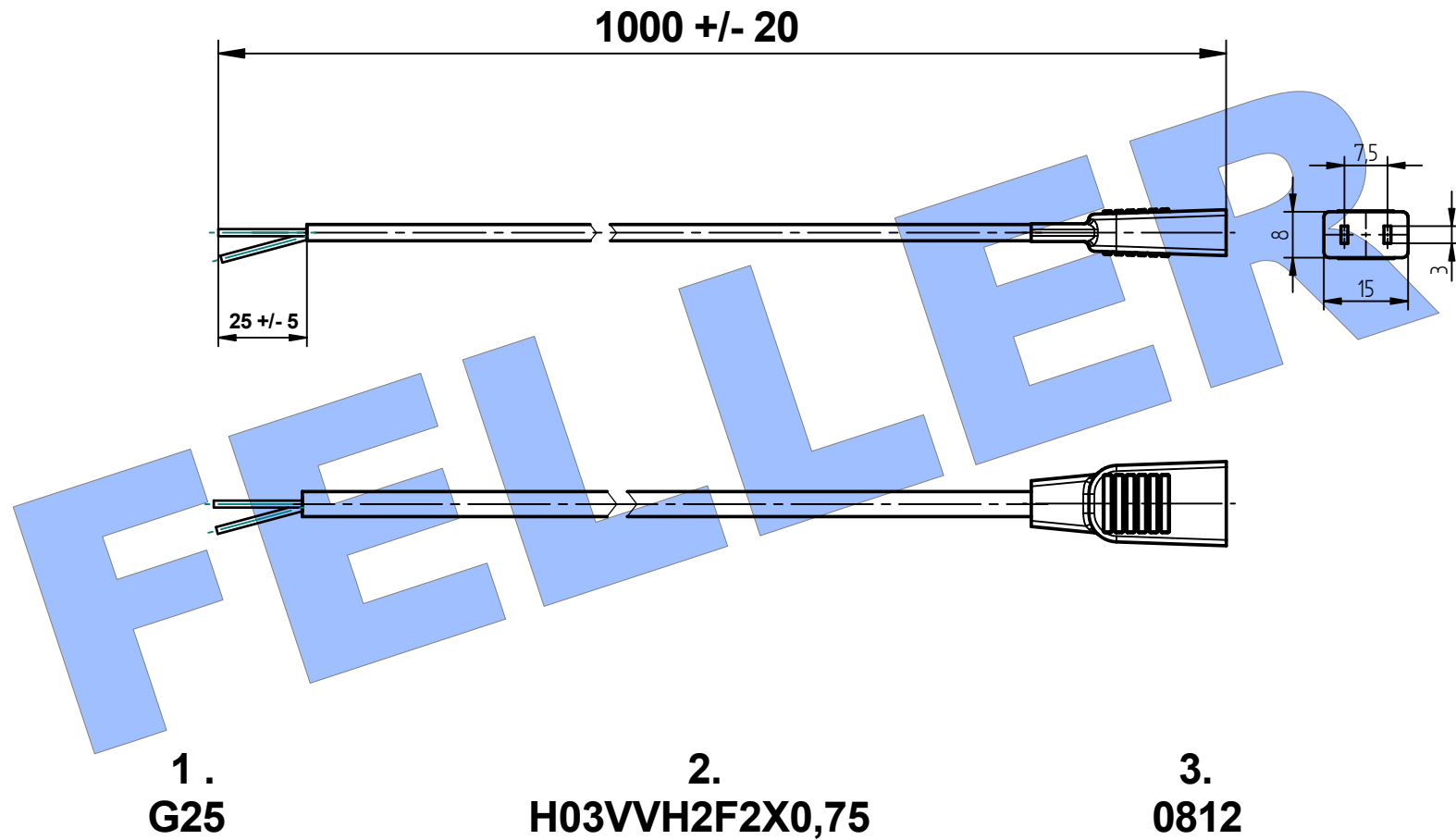
Environmental conformity : EU-Directive 2012/19/EU (WEEE)
EU-Directive 2011/65/EU
EU-Directive 1907/2006 EG (REACH -compliant)

TESTING

Electrical testing : 100%
Visual inspection : 100%
High pot test wire to wire : 3kVac for 2 sec.
Continuity test : 20Aac to line and neutral

design subject to change without prior notice, except written agreements with customer

DATE of ISSUE:	September, 2018		
REV: 1	1	ORIG:	DG



Feller Type: G25-H03VVH2F2X075-0812/1,00M SW9005

PN: 154-11-840

All dimensions in mm

27.09.2018

DG

RoHS compliant

FELLER 

A-2525 Günselsdorf, Austria

Telefon 0043-2256-62325-0

Fax: 0043-2256-62325-7

email: sales@feller-at.com

<http://www.feller-at.com>