

## DIN Connectors

Order code	Manufacturer code	Description
20-0300	NYS321	3 PIN METAL DIN PLUG (RC)
20-0305	NYS322	5 PIN 180 DEG.METAL DIN PLUG (RC)
20-0310	NYS323	7 PIN METAL DIN PLUG (RC)

DIN Connectors	Page 1 of 2
The enclosed information is believed to be correct, Information may change 'without notice' due to product improvement. Users should ensure that the product is suitable for their use. E. & O. E.	Revision A 04/07/2003

## Metal Bodied DIN Connectors

### NEUTRIK

#### Materials

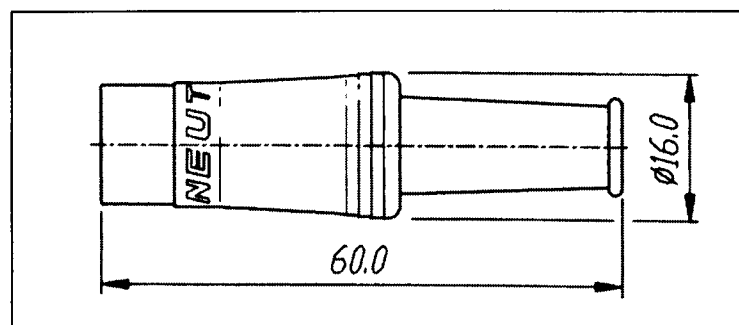
Housing/Shell : CuZn39Pb3 gal 2  $\mu$ m Ni plated  
Contacts : gal 2  $\mu$ m Ag plated  
Strain Relief : CRIMP type tin plated

#### Electrical

Contact Resistance :  $\leq 10\text{m}\Omega$   
Insulation Resistance :  $\geq 5 \cdot 10^3 \text{M}\Omega$   
Insulation Resistance after damp heat test (IEC 68-2-30) :  $\geq 10^3 \text{M}\Omega$   
Dielectric Strength : 500 V rms  
Temperature Range :  $-25^\circ\text{C}$  to  $+70^\circ\text{C}$

#### Mechanical

Solderability, complies with : IEC 68-2-20



Neutrik Code	Description
NYS321	3 Pin Metal DIN Plug
NYS322	5 Pin 180° Metal DIN Plug
NYS323	7 Pin Metal DIN Plug